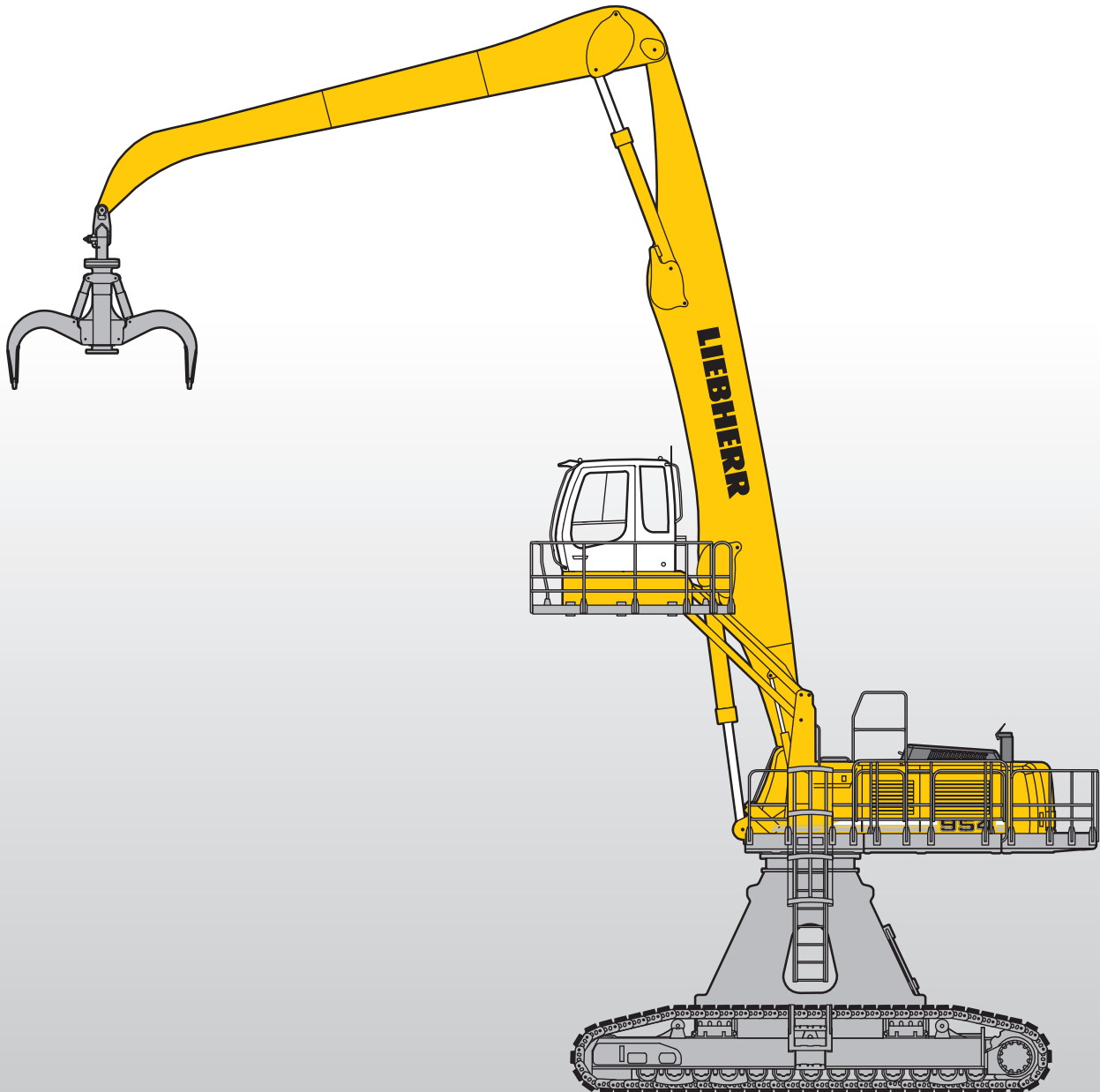


# Machine for Industrial Applications **R 954 C**

Litronic® High Rise

Operating Weight: 96,800 – 100,600 kg  
Engine Output: 240 kW / 326 HP



# LIEBHERR

# Technical Data



## Engine

Rating per ISO 9249	240 kW (326 HP) at 1,800 RPM
Model	Liebherr D 936 L
Type	6 cylinder in-line
Bore/Stroke	122/150 mm
Displacement	10.5 l
Engine operation	4-stroke diesel unit pump system turbo-charged and after-cooled
Cooling	water-cooled and integrated motor oil cooler
Air cleaner	dry-type air cleaner with pre-cleaner, primary and safety elements, automatic dust discharge
Fuel tank	700 l
Standard	sensor controlled engine idling
Electrical system	
Voltage	24 V
Batteries	2 x 170 Ah/12 V
Starter	24 V/7.8 kW
Alternator	three phase current 28 V/80 A



## Hydraulic System

Hydraulic pump for attachment and travel drive	two Liebherr variable flow, swash plate pumps
Max. flow	2 x 350 l/min.
Max. pressure	350 bar
Pump regulation	electro-hydraulic with electronic engine speed sensing regulation, pressure compensation, flow compensation, automatic oil flow optimizer
Hydraulic pump for swing drive	reversible, variable flow, swash plate pump, closed-loop circuit
Max. flow	211 l/min.
Max. pressure	384 bar
Hydraulic tank	440 l
Hydraulic system	790 l
Hydraulic oil filter	2 full flow filters in return line with integrated fine filter area (5 µm)
Hydraulic oil cooler	cooler unit, consisting of radiator for engine coolant with after-cooler core, sandwiched with cooler for hydraulic fluid and fuel with hydrostatically controlled fan drives
MODE selection	adjustment of machine performance and the hydraulics via a mode selector to match application
ECO	for especially economical and environmentally friendly operation
POWER	for maximum digging power and heavy duty jobs
LIFT	for lifting
FINE	for precision work and lifting through very sensitive movements
RPM adjustment	stepless adjustment of engine output via rpm at each selected mode



## Hydraulic Controls

Power distribution	via control valves in single block with integrated safety valves
Flow summation	to boom and stick
Closed-loop circuit	for uppercarriage swing drive
Servo circuit	
Attachment and swing	proportional via joystick levers
Travel	proportional via foot pedal
Additional functions	via foot pedals or joystick push buttons



## Swing Drive

Drive by	Liebherr swash plate motor with integrated brake valves
Transmission	Liebherr compact planetary reduction gear
Swing ring	Liebherr, sealed single race ball bearing swing ring, internal teeth
Swing speed	0 – 6.0 RPM stepless
Swing torque	154 kNm
Holding brake	wet multi-disc (spring applied, pressure released)
Option	pedal controlled positioning brake



## Operator's Cab

Cab	resiliently mounted, sound insulated, tinted windows, front window stores overhead, door with sliding window
Operator's seat	fully adjustable, shockabsorbing suspension, adjustable to operator's weight and size, 6-way adjustable Liebherr seat
Joysticks	integrated into adjustable consoles
Monitoring	menu driven query of current operating conditions via the LCD display. Automatic monitoring, display, warning (acoustical and optical signal) and saving machine data, for example, engine overheating, low engine oil pressure or low hydraulic oil level
Air conditioning	standard air conditioning, combined cooler/heater, additional dust filter in fresh air/recirculated
Noise emission	
ISO 6396	$L_{pA}$ (inside cab) = 77 dB(A)
2000/14/EC	$L_{WA}$ (surround noise) = 105 dB(A)



## Undercarriage

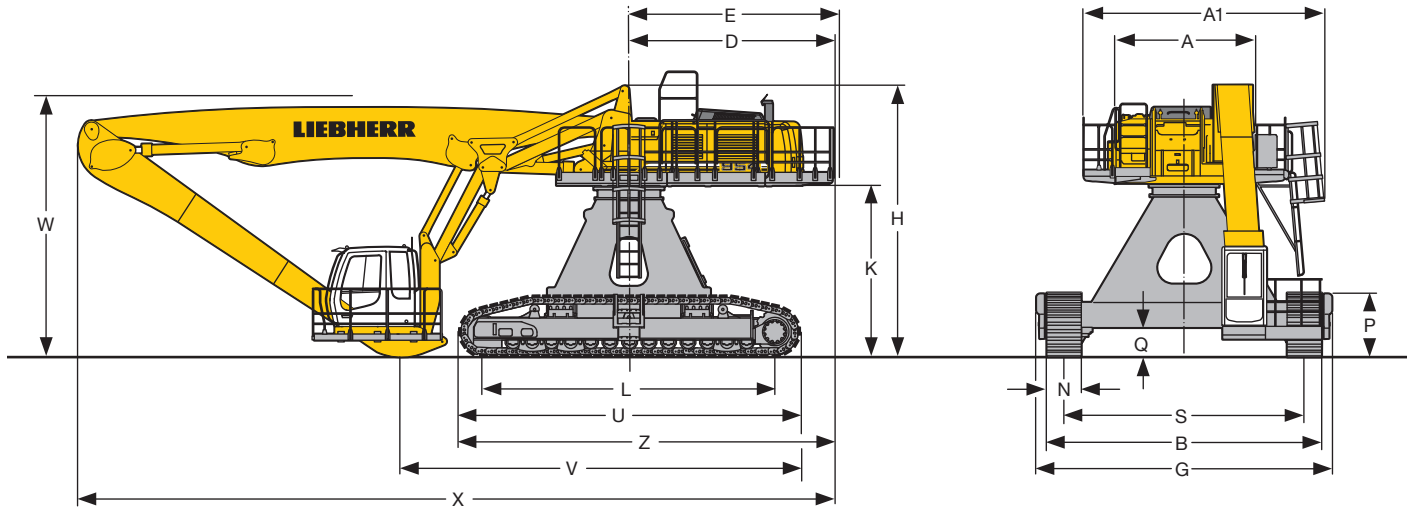
Version HR	
Drive	Liebherr swash plate motors with integrated brake valves on both sides
Transmission	Liebherr planetary reduction gears
Travel speed	low range – 2,6 km/h high range – 3,6 km/h
Drawbar pull max.	553 kN
Track components	D 8 K, maintenance-free
Track rollers/Carrier rollers	13/3
Tracks	sealed and greased
Track pads	flat pad
Digging locks	wet multi-discs (spring applied, pressure released)
Brake valves	integrated into travel motor



## Attachment

Type	high-strength steel plates at highly-stressed points for the toughest requirements. Complex and stable mountings of attachment and cylinders. Unrivalled strength, even at high loads
Hydraulic cylinders	Liebherr cylinders with special seal system. Shock absorption
Pivots	sealed, low maintenance
Lubrication	Liebherr semi-automatic central lubrication system
VarioLiftPlus	variable boom mounting positions for optimized lift capacities

# Dimensions



	mm
A	3,060
A1	5,320
C	6,350
D	4,510
E	4,600
F	4,400
H with Double Parallelogram	6,000
H with Parallelogram + Intermediate Piece 0.5 m	6,340
K	3,780
L	6,400
P	1,395
Q	640
S	5,250
U	7,540
Z	8,260
N	750
B	6,120
G	6,450

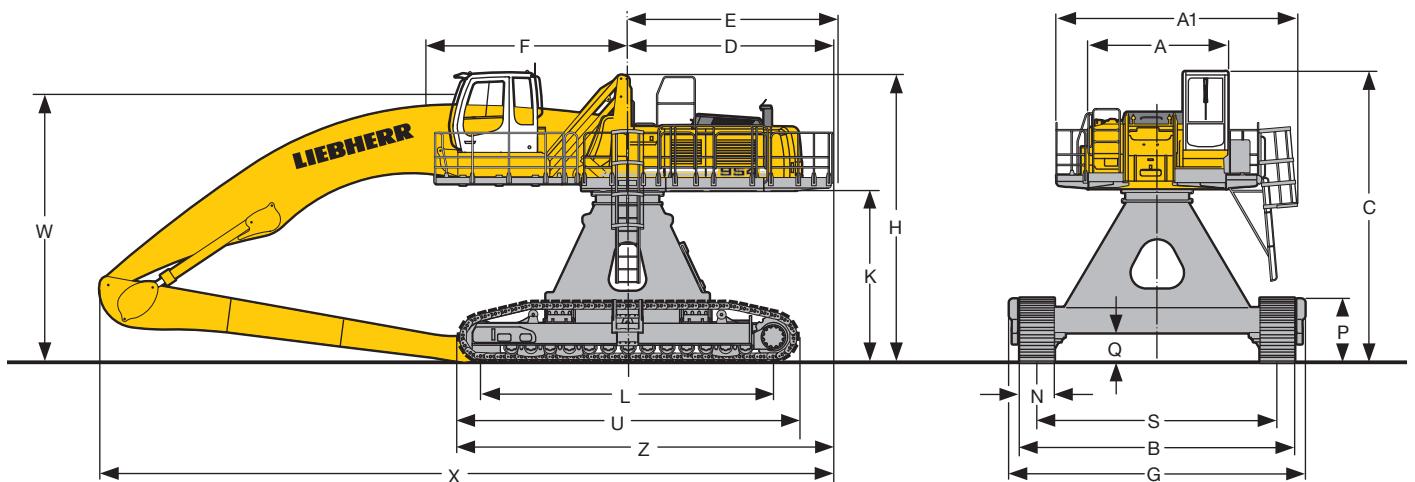
E = Tail radius

Industrial-Type Straight Boom 11.50 m and Industrial Stick		
V	m	9.00 10.00
W	mm	8,800 8,200
X	mm	5,800 5,800
X	mm	16,650 16,650

Industrial-Type Straight Boom 12.50 m and Industrial Stick		
V	m	9.00 10.00
W	mm	9,700 8,600
W	mm	5,800 5,800
X	mm	17,650 17,650

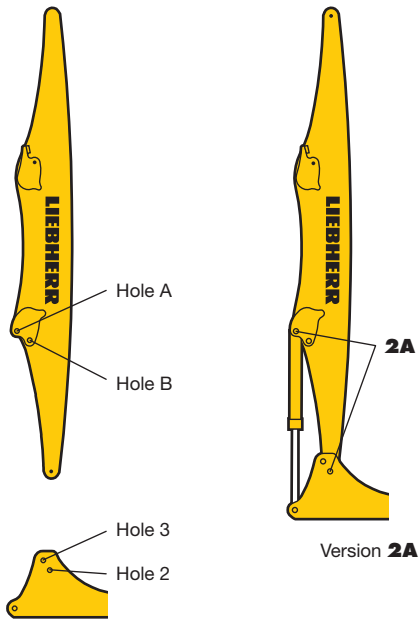
Industrial-Type Gooseneck Boom 11.50 m and Industrial Stick		
V	m	9.00 10.00
W	mm	5,900 5,900
X	mm	16,100 16,100

Industrial-Type Gooseneck Boom 12.50 m and Industrial Stick		
V	m	9.00 10.00
W	mm	5,800 5,800
X	mm	17,100 17,100

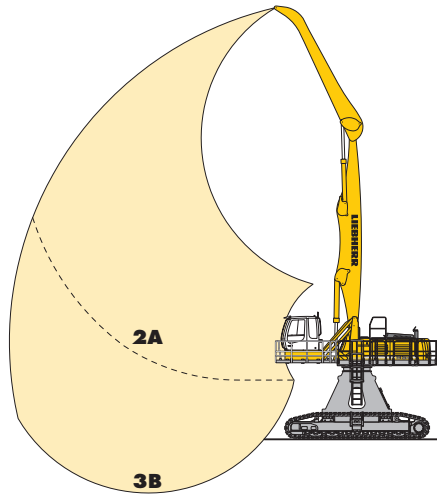


# VarioLiftPlus

## Variable Boom Mounting Positions for Optimized Lift Capacities



with **the same** working range



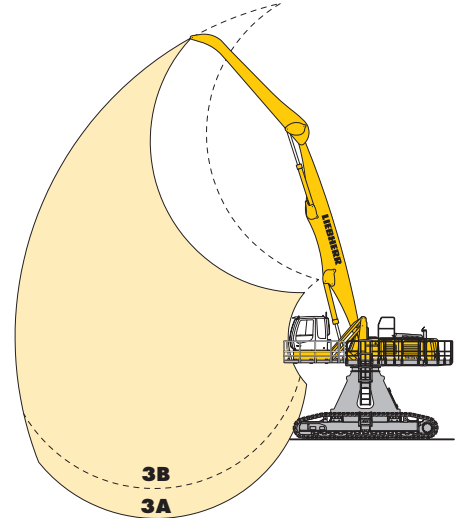
### Kinematic variant 2A:

Increased lift capacities above ground level

### Kinematic variant 3B:

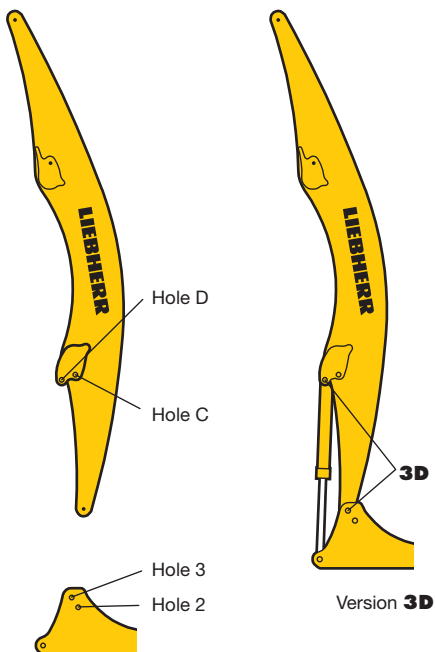
Increased lift capacities below ground level and when working at large outreach

with a **different** working range

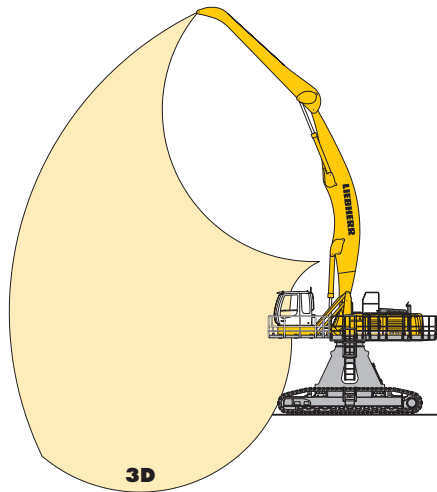


### Kinematic variant 3A:

Altered range curve with additional reach depth, e.g. for unloading from ships

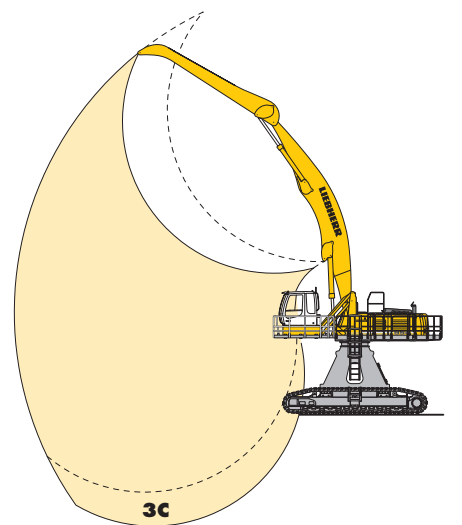


with a **different** working range



### Kinematic variant 3D:

Increased lift capacities below ground level and when working at large outreach

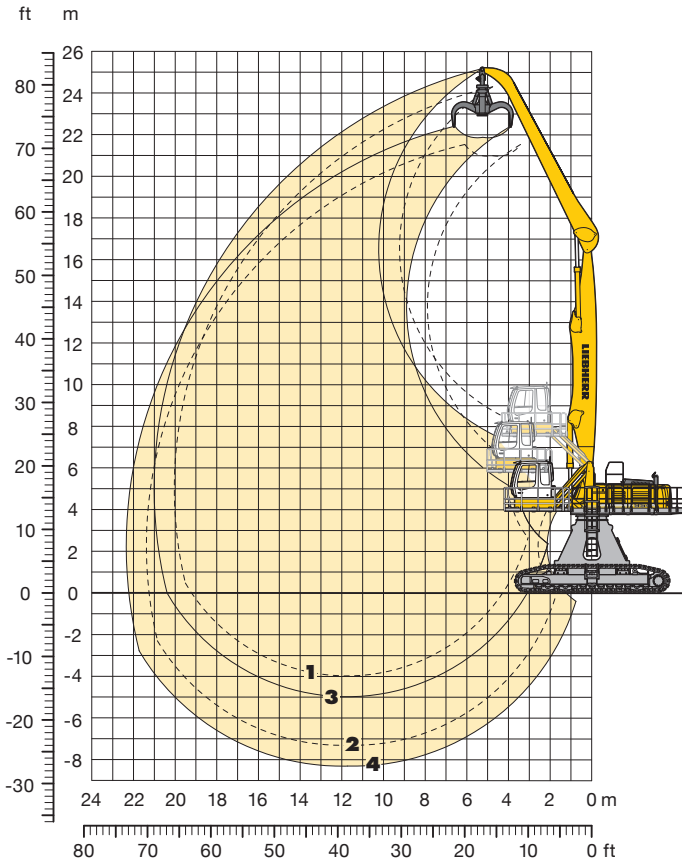


### Kinematic variant 3C:

Altered range curve with additional reach depth, e.g. for unloading from ships

# Industrial Attachment

with Industrial-Type Straight Boom 11.50 m



## Attachment Envelope

Kinematic variant 2A

- 1** with industrial stick 9.00 m
- 2** with industrial stick 10.00 m
- 3** with industrial stick 9.00 m and grapple model 72 C
- 4** with industrial stick 10.00 m and grapple model 72 C

## Operating Weight and Ground Pressure

Operating weight includes basic machine with hydraulic cab elevation parallelogram + intermediate piece 0.5 m, counterweight 14.5 t, industrial-type straight boom 11,0 m, industrial stick 9.00 m and grapple model 72 C with 5 semi-closed tines 1.20 m<sup>3</sup>.

Undercarriage		HR
Pad width	mm	750
Weight	kg	96,800
Ground pressure	kg/cm <sup>2</sup>	1.01

Operating weight includes basic machine with hydraulic cab elevation parallelogram + intermediate piece 0.5 m, counterweight 14.5 t, industrial-type straight boom 11.50 m, industrial stick 10.00 m and grapple model 72 C with 5 semi-closed tines 1.20 m<sup>3</sup>.

Undercarriage		HR
Pad width	mm	750
Weight	kg	97,200
Ground pressure	kg/cm <sup>2</sup>	1.01

# Lift Capacities

with Industrial-Type Straight Boom 11.50 m

## Industrial Stick 9.00 m (Variant 2A)

m	Under-carriage	4.5 m		6.0 m		7.5 m		9.0 m		10.5 m		12.0 m		13.5 m		15.0 m		16.5 m		18.0 m		19.5 m		21.0 m		m		
25.5	HR																											
24.0	HR																											
22.5	HR																											
21.0	HR																											
19.5	HR																											
18.0	HR																											
16.5	HR																											
15.0	HR																											
13.5	HR																											
12.0	HR																											
10.5	HR																											
9.0	HR																											
7.5	HR																											
6.0	HR																											
4.5	HR																											
3.0	HR																											
1.5	HR																											
0	HR																											
-1.5	HR																											
-3.0	HR																											
-4.5	HR																											
-6.0	HR																											
-7.5	HR																											

## Industrial Stick 10.00 m (Variant 2A)

m	Under-carriage	4.5 m		6.0 m		7.5 m		9.0 m		10.5 m		12.0 m		13.5 m		15.0 m		16.5 m		18.0 m		19.5 m		21.0 m		m		
25.5	HR																											
24.0	HR																											
22.5	HR																											
21.0	HR																											
19.5	HR																											
18.0	HR																											
16.5	HR																											
15.0	HR																											
13.5	HR																											
12.0	HR																											
10.5	HR																											
9.0	HR																											
7.5	HR																											
6.0	HR																											
4.5	HR																											
3.0	HR																											
1.5	HR																											
0	HR																											
-1.5	HR																											
-3.0	HR																											
-4.5	HR																											
-6.0	HR																											
-7.5	HR																											

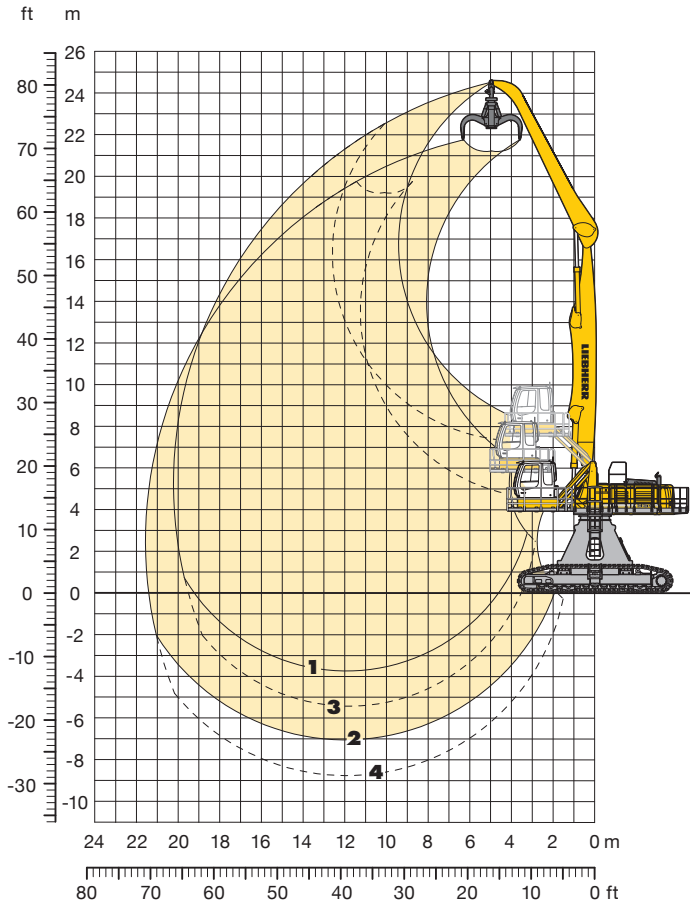
Height Can be slewed through 360° In longitudinal position of undercarriage Max. reach \* Limited by hydr. capacity

The lift capacities are stated in metric tonnes (t) on the lifting gear's stick tip, and can be lifted 360° on firm, level supporting surface. Capacities are valid for 750 mm track flat pads. Indicated loads are based on ISO 10567 standard and do not exceed 75 % of tipping or 87 % of hydraulic capacity (indicated via \*). Lifting capacity of the excavator is limited by machine stability, hydraulic capacity and maximum permissible load of the load hook.

According to European Standard, EN 474-5: In the European Union excavators have to be equipped with an overload warning device, a load diagram and automatic check valves on the hoist cylinders, when they are used for lifting operations which require the use of lifting accessories.

# Industrial Attachment

with Industrial-Type Straight Boom 11.50 m



## Attachment Envelope

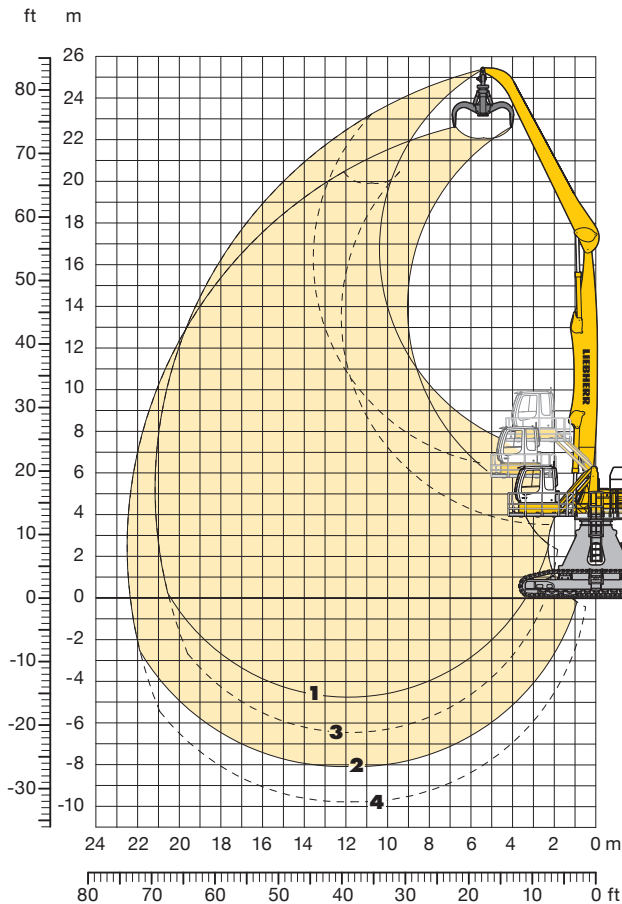
Kinematic variants 3A/3B

- 1** with industrial stick 9.00 m (3B)
- 2** with industrial stick 9.00 m and grapple model 72 C (3B)
- 3** with industrial stick 9.00 m (3A)
- 4** with industrial stick 9.00 m and grapple model 72 C (3A)

## Operating Weight and Ground Pressure

Operating weight includes basic machine with hydraulic cab elevation parallelogram + intermediate piece 0.5 m, counterweight 14.5 t, industrial-type straight boom 11.50 m, industrial stick 9.00 m and grapple model 72 C with 5 semi-closed tines 1.20 m<sup>3</sup>.

Undercarriage	HR
Pad width	mm 750
Weight	kg 96,800
Ground pressure	kg/cm <sup>2</sup> 1.01



## Attachment Envelope

Kinematic variants 3A/3B

- 1** with industrial stick 10.00 m (3B)
- 2** with industrial stick 10.00 m and grapple model 72 C (3B)
- 3** with industrial stick 10.00 m (3A)
- 4** with industrial stick 10.00 m and grapple model 72 C (3A)

## Operating Weight and Ground Pressure

Operating weight includes basic machine with hydraulic cab elevation parallelogram + intermediate piece 0.5 m, counterweight 14.5 t, industrial-type straight boom 11.50 m, industrial stick 10.00 m and grapple model 72 C with 5 semi-closed tines 1.20 m<sup>3</sup>.

Undercarriage	HR
Pad width	mm 750
Weight	kg 97,200
Ground pressure	kg/cm <sup>2</sup> 1.01



# Lift Capacities

with Industrial-Type Straight Boom 11.50 m

## Industrial Stick 9.00 m (Variant 3A)

↕ m	Under-carriage	4.5 m		6.0 m		7.5 m		9.0 m		10.5 m		12.0 m		13.5 m		15.0 m		16.5 m		18.0 m		19.5 m		21.0 m		m	
25.5	HR																										
24.0	HR																										
22.5	HR																										
21.0	HR												9.3*	9.3*											9.7*	9.7*	10.12
19.5	HR												10.7*	10.7*	9.2*	9.2*									7.8*	7.8*	14.14
18.0	HR														9.8*	9.8*	8.6*	8.6*							7.3*	7.3*	15.54
16.5	HR														9.7*	9.7*	9.0*	9.0*	7.5*	7.5*					7.0*	7.0*	16.69
15.0	HR														9.7*	9.7*	9.0*	9.0*	8.4*	8.4*					6.8*	6.8*	17.63
13.5	HR														9.7*	9.7*	9.0*	9.0*	8.4*	8.4*	7.8*	7.8*			6.7*	6.7*	18.39
12.0	HR														10.8*	10.8*	9.9*	9.9*	8.4*	8.4*	7.8*	7.8*			6.6*	6.6*	19.00
10.5	HR														11.1*	11.1*	10.1*	10.1*	8.5*	8.5*	7.8*	7.8*			6.6*	6.6*	19.48
9.0	HR														12.4*	12.4*	11.4*	11.4*	8.5*	8.5*	7.8*	7.8*	7.1*	7.1*	6.6*	6.6*	19.83
7.5	HR			23.4*	23.4*	18.6*	18.6*	15.6*	15.6*	13.4*	13.4*	11.8*	11.8*	10.5*	10.5*	9.5*	9.5*	8.6*	8.6*	7.8*	7.8*	7.1*	7.1*	6.7*	6.7*	20.06	
6.0	HR	5.4*	5.4*	25.4*	25.4*	19.8*	19.8*	16.3*	16.3*	13.9*	13.9*	12.1*	12.1*	10.7*	10.7*	9.6*	9.6*	8.7*	8.7*	7.8*	7.8*	7.0*	7.0*	6.5*	6.5*	20.17	
4.5	HR	1.9*	1.9*	9.5*	9.5*	20.7*	20.7*	16.9*	16.9*	14.2*	14.2*	12.3*	12.3*	10.8*	10.8*	9.6*	9.6*	8.6*	8.6*	7.7*	7.7*	6.8*	6.8*	6.3*	6.3*	20.17	
3.0	HR	2.0*	2.0*	6.4*	6.4*	16.9*	16.9*	17.2*	17.2*	14.4*	14.4*	12.4*	12.4*	10.9*	10.9*	9.6*	9.6*	8.6*	8.6*	7.6*	7.6*	6.6*	6.6*	6.1*	6.1*	20.06	
1.5	HR	2.8*	2.8*	6.1*	6.1*	12.6*	12.6*	17.1*	17.1*	14.4*	14.4*	12.4*	12.4*	10.8*	10.8*	9.5*	9.5*	8.4*	8.4*	7.3*	7.3*	6.2*	6.2*	5.8*	5.8*	19.83	
0	HR	4.0*	4.0*	6.7*	6.7*	11.7*	11.7*	16.6*	16.6*	14.1*	14.1*	12.1*	12.1*	10.5*	10.5*	9.2*	9.2*	8.0*	8.0*	6.9*	6.9*	6.2*	6.2*	5.5*	5.5*	19.48	
-1.5	HR	5.2*	5.2*	7.6*	7.6*	11.8*	11.8*	15.7*	15.7*	13.4*	13.4*	11.6*	11.6*	10.0*	10.0*	8.7*	8.7*	7.5*	7.5*	6.2*	6.2*			5.1*	5.1*	19.00	
-3.0	HR			8.6*	8.6*	12.5*	12.5*	14.4*	14.4*	12.4*	12.4*	10.7*	10.7*	9.3*	9.3*	8.0*	8.0*	6.7*	6.7*					5.3*	5.3*	17.92	
-4.5	HR							12.6*	12.6*	11.0*	11.0*	9.5*	9.5*	8.1*	8.1*	6.8*	6.8*							6.1*	6.1*	15.76	
-6.0	HR																										
-7.5	HR																										

## Industrial Stick 10.00 m (Variant 3A)

↕ m	Under-carriage	4.5 m		6.0 m		7.5 m		9.0 m		10.5 m		12.0 m		13.5 m		15.0 m		16.5 m		18.0 m		19.5 m		21.0 m		m	
25.5	HR																										
24.0	HR																										
22.5	HR																										
21.0	HR																										
19.5	HR																										
18.0	HR																										
16.5	HR																										
15.0	HR																										
13.5	HR																										
12.0	HR																										
10.5	HR																										
9.0	HR																										
7.5	HR																										
6.0	HR	32.7*	32.7*	23.8*	23.8*	18.7*	18.7*	15.5*	15.5*	13.3*	13.3*	11.6*	11.6*	10.3*	10.3*	9.2*	9.2*	8.3*	8.3*	7.6*	7.6*	6.9*	6.9*	6.1*	6.1*	21.14	
4.5	HR	4.2*	4.2*	21.8*	21.8*	19.8*	19.8*	16.2*	16.2*	13.7*	13.7*	11.9*	11.9*	10.5*	10.5*	9.3*	9.3*	8.4*	8.4*	7.6*	7.6*	6.8*	6.8*	5.9*	5.9*	21.14	
3.0	HR	2.8*	2.8*	8.7*	8.7*	20.5*	20.5*	16.6*	16.6*	14.0*	14.0*	12.1*	12.1*	10.6*	10.6*	9.4*	9.4*	8.4*	8.4*	7.5*	7.5*	6.6*	6.6*	5.6*	5.6*	21.03	
1.5	HR	3.1*	3.1*	6.9*	6.9*	15.4*	15.4*	16.8*	16.8*	14.1*	14.1*	12.1*	12.1*	10.6*	10.6*	9.3*	9.3*	8.3*	8.3*	7.3*	7.3*	6.4*	6.4*	5.4*	5.4*	20.81	
0	HR	3.9*	3.9*	6.9*	6.9*	12.6*	12.6*	16.6*	16.6*	13.9*	13.9*	12.0*	12.0*	10.4*	10.4*	9.1*	9.1*	8.0*	8.0*	7.0*	7.0*	6.0*	6.0*	5.1*	5.1*	20.48	
-1.5	HR	4.9*	4.9*	7.4*	7.4*	12.0*	12.0*	16.0*	16.0*	13.5*	13.5*	11.6*	11.6*	10.1*	10.1*	8.8*	8.8*	7.6*	7.6*	6.6*	6.6*	5.3*	5.3*	4.8*	4.8*	20.03	
-3.0	HR	5.9*	5.9*	8.2*	8.2*	12.2*	12.2*	14.9*	14.9*	12.7*	12.7*	11.0*	11.0*	9.5*	9.5*	8.2*	8.2*	7.0*	7.0*	5.8*	5.8*			4.5*	4.5*	19.31	
-4.5	HR			9.1*	9.1*	12.9*	12.9*	13.5*	13.5*	11.6*	11.6*	10.0*	10.0*	8.6*	8.6*	7.4*	7.4*	6.1*	6.1*					5.1*	5.1*	17.68	
-6.0	HR							11.5*	11.5*	10.0*	10.0*	8.6*	8.6*	7.4*	7.4*									6.4*	6.4*	14.68	
-7.5	HR																										

↕ Height Can be slewed through 360° In longitudinal position of undercarriage Max. reach \* Limited by hydr. capacity

The lift capacities are stated in metric tonnes (t) on the lifting gear's stick tip, and can be lifted 360° on firm, level supporting surface. Capacities are valid for 750 mm track flat pads. Indicated loads are based on ISO 10567 standard and do not exceed 75 % of tipping or 87 % of hydraulic capacity (indicated via \*). Lifting capacity of the excavator is limited by machine stability, hydraulic capacity and maximum permissible load of the load hook.

According to European Standard, EN 474-5: In the European Union excavators have to be equipped with an overload warning device, a load diagram and automatic check valves on the hoist cylinders, when they are used for lifting operations which require the use of lifting accessories.



# Lift Capacities

with Industrial-Type Straight Boom 11.50 m

## Industrial Stick 9.00 m (Variant 3B)

↑ m	Under-carriage	4.5 m		6.0 m		7.5 m		9.0 m		10.5 m		12.0 m		13.5 m		15.0 m		16.5 m		18.0 m		19.5 m		21.0 m		m				
25.5	HR																													
24.0	HR																													
22.5	HR			13.6*	13.6*																						12.3*	12.3*	6.77	
21.0	HR					13.2*	13.2*	11.5*	11.5*																			9.7*	9.7*	10.12
19.5	HR							11.8*	11.8*	10.8*	10.8*	9.3*	9.3*															8.5*	8.5*	12.40
18.0	HR							11.3*	11.3*	10.4*	10.4*	9.6*	9.6*	9.1*	9.1*													7.8*	7.8*	14.14
16.5	HR									10.1*	10.1*	9.4*	9.4*	8.8*	8.8*	8.4*	8.4*											7.3*	7.3*	15.54
15.0	HR									10.1*	10.1*	9.3*	9.3*	8.7*	8.7*	8.3*	8.3*	7.5*	7.5*									7.0*	7.0*	16.69
13.5	HR									10.1*	10.1*	9.4*	9.4*	8.7*	8.7*	8.2*	8.2*	7.8*	7.8*									6.8*	6.8*	17.63
12.0	HR							11.4*	11.4*	10.3*	10.3*	9.5*	9.5*	8.8*	8.8*	8.2*	8.2*	7.8*	7.8*	7.4*	7.4*							6.7*	6.7*	18.39
10.5	HR							11.8*	11.8*	10.7*	10.7*	9.7*	9.7*	9.0*	9.0*	8.3*	8.3*	7.8*	7.8*	7.4*	7.4*							6.6*	6.6*	19.00
9.0	HR			14.3*	14.3*	14.3*	14.3*	12.5*	12.5*	11.1*	11.1*	10.1*	10.1*	9.2*	9.2*	8.5*	8.5*	7.9*	7.9*	7.4*	7.4*							6.6*	6.6*	19.48
7.5	HR	28.4*	28.4*	16.3*	16.3*	15.5*	15.5*	13.3*	13.3*	11.7*	11.7*	10.4*	10.4*	9.5*	9.5*	8.7*	8.7*	8.0*	8.0*	7.5*	7.5*	6.9*	6.9*				6.6*	6.6*	19.83	
6.0	HR	5.4*	5.4*	23.5*	23.5*	18.3*	18.3*	15.1*	15.1*	12.9*	12.9*	11.3*	11.3*	10.0*	10.0*	9.1*	9.1*	8.3*	8.3*	7.6*	7.6*	6.9*	6.9*				6.7*	6.7*	20.06	
4.5	HR	1.9*	1.9*	9.5*	9.5*	19.5*	19.5*	15.9*	15.9*	13.4*	13.4*	11.6*	11.6*	10.3*	10.3*	9.2*	9.2*	8.4*	8.4*	7.6*	7.6*	6.9*	6.9*				6.6*	6.6*	20.17	
3.0	HR	2.0*	2.0*	6.4*	6.4*	16.9*	16.9*	16.4*	16.4*	13.8*	13.8*	11.9*	11.9*	10.5*	10.5*	9.4*	9.4*	8.4*	8.4*	7.6*	7.6*	6.8*	6.8*				6.4*	6.4*	20.06	
1.5	HR	2.8*	2.8*	6.1*	6.1*	12.6*	12.6*	16.7*	16.7*	14.1*	14.1*	12.1*	12.1*	10.6*	10.6*	9.4*	9.4*	8.4*	8.4*	7.5*	7.5*	6.6*	6.6*				6.3*	6.3*	19.83	
0	HR			6.7*	6.7*	11.7*	11.7*	16.7*	16.7*	14.1*	14.1*	12.1*	12.1*	10.6*	10.6*	9.3*	9.3*	8.3*	8.3*	7.3*	7.3*						6.4*	6.4*	19.19	
-1.5	HR			7.6*	7.6*	11.8*	11.8*	16.3*	16.3*	13.8*	13.8*	11.9*	11.9*	10.4*	10.4*	9.1*	9.1*	8.0*	8.0*								7.0*	7.0*	17.83	
-3.0	HR							15.5*	15.5*	13.2*	13.2*	11.4*	11.4*	9.9*	9.9*	8.6*	8.6*										8.3*	8.3*	15.46	
-4.5	HR																													
-6.0	HR																													
-7.5	HR																													

## Industrial Stick 10.00 m (Variant 3B)

↑ m	Under-carriage	4.5 m		6.0 m		7.5 m		9.0 m		10.5 m		12.0 m		13.5 m		15.0 m		16.5 m		18.0 m		19.5 m		21.0 m		m				
25.5	HR																													
24.0	HR																													
22.5	HR							11.8*	11.8*	9.9*	9.9*																9.4*	9.4*	9.34	
21.0	HR							11.5*	11.5*	10.0*	10.0*																	7.9*	7.9*	11.97
19.5	HR									10.0*	10.0*	9.3*	9.3*	8.0*	8.0*													7.1*	7.1*	13.94
18.0	HR									9.6*	9.6*	8.9*	8.9*	8.4*	8.4*	7.6*	7.6*											6.6*	6.6*	15.51
16.5	HR									9.4*	9.4*	8.8*	8.8*	8.2*	8.2*	7.8*	7.8*	6.9*	6.9*									6.3*	6.3*	16.79
15.0	HR									9.4*	9.4*	8.7*	8.7*	8.2*	8.2*	7.7*	7.7*	7.3*	7.3*									6.0*	6.0*	17.85
13.5	HR									9.4*	9.4*	8.7*	8.7*	8.2*	8.2*	7.7*	7.7*	7.3*	7.3*	6.9*	6.9*							5.8*	5.8*	18.73
12.0	HR									9.6*	9.6*	8.9*	8.9*	8.3*	8.3*	7.7*	7.7*	7.3*	7.3*	6.9*	6.9*							5.7*	5.7*	19.45
10.5	HR									9.9*	9.9*	9.1*	9.1*	8.4*	8.4*	7.8*	7.8*	7.3*	7.3*	6.9*	6.9*	6.6*	6.6*					5.7*	5.7*	20.03
9.0	HR							11.6*	11.6*	10.4*	10.4*	9.4*	9.4*	8.6*	8.6*	8.0*	8.0*	7.5*	7.5*	7.0*	7.0*	6.6*	6.6*					5.7*	5.7*	20.49
7.5	HR	11.1*	11.1*	15.9*	15.9*	15.6*	15.6*	13.2*	13.2*	11.5*	11.5*	10.2*	10.2*	9.2*	9.2*	8.4*	8.4*	7.7*	7.7*	7.1*	7.1*	6.6*	6.6*				5.7*	5.7*	20.82	
6.0	HR	29.7*	29.7*	21.6*	21.6*	17.1*	17.1*	14.2*	14.2*	12.2*	12.2*	10.7*	10.7*	9.5*	9.5*	8.6*	8.6*	7.9*	7.9*	7.2*	7.2*	6.7*	6.7*	6.1*	6.1*		5.8*	5.8*	21.14	
4.5	HR	4.2*	4.2*	21.8*	21.8*	18.4*	18.4*	15.0*	15.0*	12.7*	12.7*	11.1*	11.1*	9.8*	9.8*	8.8*	8.8*	8.0*	8.0*	7.3*	7.3*	6.7*	6.7*	6.0*	6.0*		5.9*	5.9*	21.14	
3.0	HR	2.8*	2.8*	8.7*	8.7*	19.4*	19.4*	15.7*	15.7*	13.2*	13.2*	11.4*	11.4*	10.1*	10.1*	9.0*	9.0*	8.1*	8.1*	7.3*	7.3*	6.6*	6.6*	5.9*	5.9*		5.9*	5.9*	21.03	
1.5	HR	3.1*	3.1*	6.9*	6.9*	15.4*	15.4*	16.2*	16.2*	13.6*	13.6*	11.7*	11.7*	10.2*	10.2*	9.1*	9.1*	8.1*	8.1*	7.3*	7.3*	6.5*	6.5*				5.8*	5.8*	20.81	
0	HR	3.9*	3.9*	6.9*	6.9*	12.6*	12.6*	16.3*	16.3*	13.7*	13.7*	11.8*	11.8*	10.3*	10.3*	9.1*	9.1*	8.1*	8.1*	7.2*	7.2*	6.3*	6.3*				5.7*	5.7*	20.39	
-1.5	HR			7.4*	7.4*	12.0*	12.0*	16.2*	16.2*	13.6*	13.6*	11.7*	11.7*	10.2*	10.2*	9.0*	9.0*	7.9*	7.9*	7.0*	7.0*						6.1*	6.1*	19.26	
-3.0	HR					12.2*	12.2*	15.7*	15.7*	13.3*	13.3*	11.4*	11.4*	9.9*	9.9*	8.7*	8.7*	7.6*	7.6*								6.8*	6.8*	17.53	
-4.5	HR									12.6*	12.6*	10.8*	10.8*	9.4*	9.4*													8.9*	8.9*	14.07
-6.0	HR																													
-7.5	HR																													

Height Can be slewed through 360° In longitudinal position of undercarriage Max. reach \* Limited by hydr. capacity

The lift capacities are stated in metric tonnes (t) on the lifting gear's stick tip, and can be lifted 360° on firm, level supporting surface. Capacities are valid for 750 mm track flat pads. Indicated loads are based on ISO 10567 standard and do not exceed 75 % of tipping or 87 % of hydraulic capacity (indicated via \*). Lifting capacity of the excavator is limited by machine stability, hydraulic capacity and maximum permissible load of the load hook.

According to European Standard, EN 474-5: In the European Union excavators have to be equipped with an overload warning device, a load diagram and automatic check valves on the hoist cylinders, when they are used for lifting operations which require the use of lifting accessories.

# Industrial Attachment

with Industrial-Type Gooseneck Boom 11.50 m

## Attachment Envelope

Kinematic variants 3C/3D

- 1** with industrial stick 9.00 m (3D)
- 2** with industrial stick 9.00 m and grapple model 72 C (3D)
- 3** with industrial stick 9.00 m (3C)
- 4** with industrial stick 9.00 m and grapple model 72 C (3C)

## Operating Weight and Ground Pressure

Operating weight includes basic machine with hydraulic cab elevation parallelogram + intermediate piece 0.5 m, counterweight 14.5 t, industrial-type gooseneck boom 11.50 m, industrial stick 9.00 m and grapple model 72 C with 5 semi-closed tines 1.20 m<sup>3</sup>.

Undercarriage	HR
Pad width	mm 750
Weight	kg 97,200
Ground pressure	kg/cm <sup>2</sup> 1.01

## Attachment Envelope

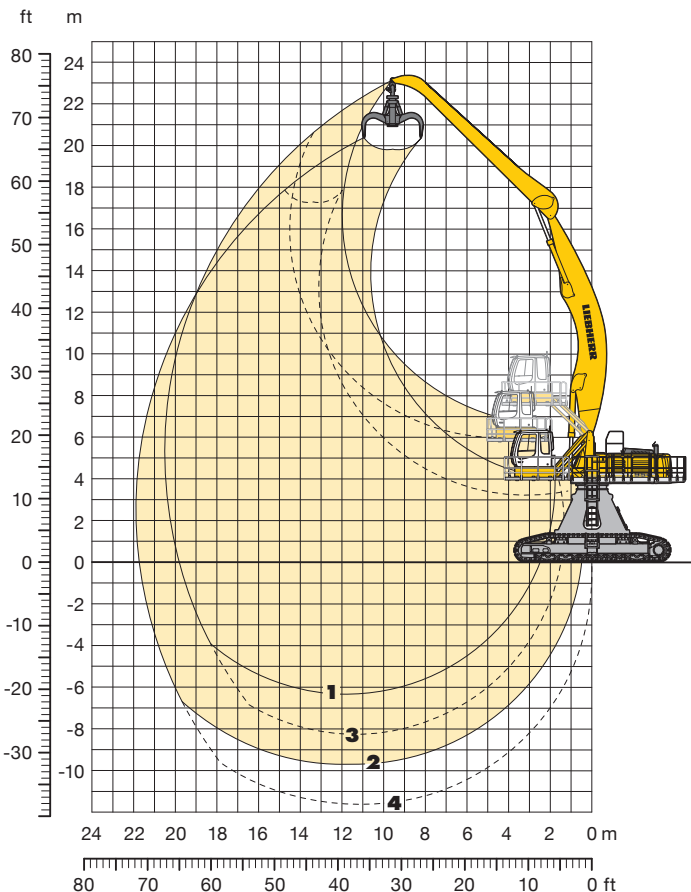
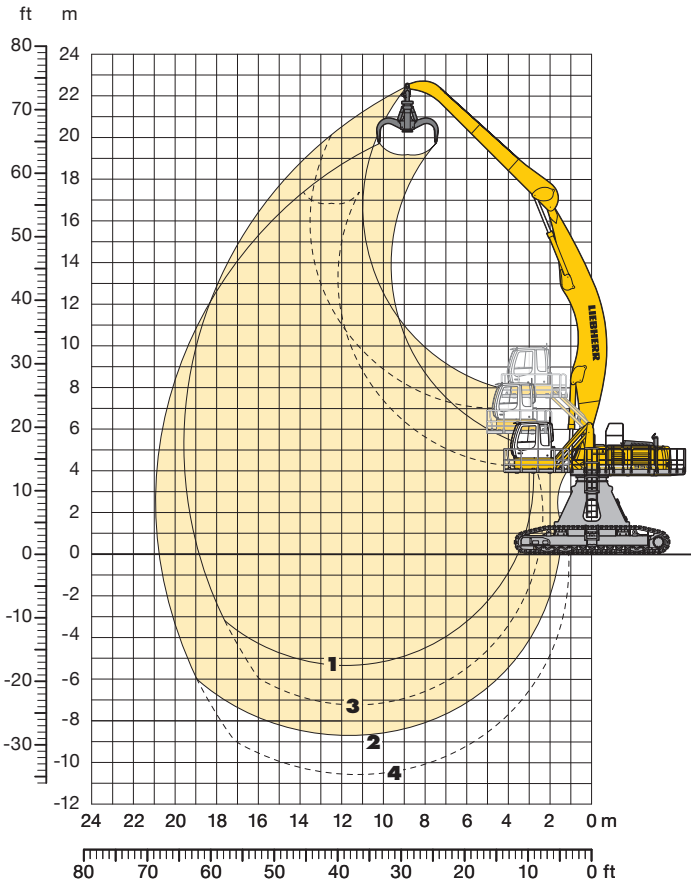
Kinematic variants 3C/3D

- 1** with industrial stick 10.00 m (3D)
- 2** with industrial stick 10.00 m and grapple model 72 C (3D)
- 3** with industrial stick 10.00 m (3C)
- 4** with industrial stick 10.00 m and grapple model 72 C (3C)

## Operating Weight and Ground Pressure

Operating weight includes basic machine with hydraulic cab elevation parallelogram + intermediate piece 0.5 m, counterweight 14.5 t, industrial-type gooseneck boom 11.50 m, industrial stick 10.00 m and grapple model 72 C with 5 semi-closed tines 1.20 m<sup>3</sup>.

Undercarriage	HR
Pad width	mm 750
Weight	kg 97,600
Ground pressure	kg/cm <sup>2</sup> 1.02



# Lift Capacities

with Industrial-Type Gooseneck Boom 11.50 m

## Industrial Stick 9.00 m (Variant 3C)

↑ m	Under-carriage	4.5 m		6.0 m		7.5 m		9.0 m		10.5 m		12.0 m		13.5 m		15.0 m		16.5 m		18.0 m		19.5 m		21.0 m		m		
25.5	HR																											
24.0	HR																											
22.5	HR																											
21.0	HR																											
19.5	HR																											
18.0	HR																									7.1*	7.1*	13.13
16.5	HR														6.7*	6.7*										6.7*	6.7*	14.63
15.0	HR														6.6*	6.6*	6.5*	6.5*								6.5*	6.5*	15.84
13.5	HR														6.6*	6.6*	6.4*	6.4*	6.3*	6.3*						6.3*	6.3*	16.83
12.0	HR														6.7*	6.7*	6.5*	6.5*	6.3*	6.3*						6.2*	6.2*	17.63
10.5	HR														6.9*	6.9*	6.6*	6.6*	6.4*	6.4*	6.2*	6.2*				6.2*	6.2*	18.27
9.0	HR												7.7*	7.7*	7.2*	7.2*	6.8*	6.8*	6.5*	6.5*	6.3*	6.3*				6.2*	6.2*	18.77
7.5	HR														7.6*	7.6*	7.1*	7.1*	6.7*	6.7*	6.4*	6.4*				6.3*	6.3*	19.13
6.0	HR														8.0*	8.0*	7.4*	7.4*	6.9*	6.9*	6.6*	6.6*				6.3*	6.3*	19.37
4.5	HR	12.0*	12.0*	19.0*	19.0*	14.8*	14.8*	12.2*	12.2*	10.5*	10.5*	9.3*	9.3*	8.4*	8.4*	7.7*	7.7*	7.2*	7.2*	6.7*	6.7*				6.4*	6.4*	19.48	
3.0	HR	5.0*	5.0*	14.5*	14.5*	16.5*	16.5*	13.4*	13.4*	11.3*	11.3*	9.9*	9.9*	8.8*	8.8*	8.0*	8.0*	7.4*	7.4*	6.9*	6.9*				6.5*	6.5*	19.48	
1.5	HR	4.4*	4.4*	9.4*	9.4*	17.9*	17.9*	14.4*	14.4*	12.1*	12.1*	10.5*	10.5*	9.3*	9.3*	8.4*	8.4*	7.7*	7.7*	7.1*	7.1*				6.7*	6.7*	19.36	
0	HR	4.8*	4.8*	8.4*	8.4*	15.3*	15.3*	15.2*	15.2*	12.7*	12.7*	10.9*	10.9*	9.6*	9.6*	8.6*	8.6*	7.9*	7.9*	7.2*	7.2*				6.8*	6.8*	19.12	
-1.5	HR	5.6*	5.6*	8.4*	8.4*	13.6*	13.6*	15.8*	15.8*	13.2*	13.2*	11.3*	11.3*	9.9*	9.9*	8.9*	8.9*	8.0*	8.0*	7.3*	7.3*				7.0*	7.0*	18.76	
-3.0	HR	6.5*	6.5*	8.9*	8.9*	13.1*	13.1*	16.1*	16.1*	13.5*	13.5*	11.6*	11.6*	10.1*	10.1*	9.0*	9.0*	8.1*	8.1*	7.3*	7.3*				7.2*	7.2*	18.26	
-4.5	HR	7.3*	7.3*	9.5*	9.5*	13.3*	13.3*	16.2*	16.2*	13.6*	13.6*	11.7*	11.7*	10.2*	10.2*	9.0*	9.0*	8.0*	8.0*						7.4*	7.4*	17.62	
-6.0	HR			10.3*	10.3*	13.9*	13.9*	15.9*	15.9*	13.5*	13.5*	11.6*	11.6*	10.1*	10.1*	8.9*	8.9*	7.8*	7.8*						7.5*	7.5*	16.82	
-7.5	HR					14.8*	14.8*	15.3*	15.3*	13.0*	13.0*	11.2*	11.2*	9.7*	9.7*	8.4*	8.4*								7.7*	7.7*	15.83	

## Industrial Stick 10.00 m (Variant 3C)

↑ m	Under-carriage	4.5 m		6.0 m		7.5 m		9.0 m		10.5 m		12.0 m		13.5 m		15.0 m		16.5 m		18.0 m		19.5 m		21.0 m		m		
25.5	HR																											
24.0	HR																											
22.5	HR																											
21.0	HR																											
19.5	HR																									6.2*	6.2*	14.49
18.0	HR																									5.9*	5.9*	15.86
16.5	HR																									5.8*	5.8*	16.98
15.0	HR																									5.7*	5.7*	17.91
13.5	HR																									5.6*	5.6*	18.66
12.0	HR																									5.6*	5.6*	19.26
10.5	HR																									5.6*	5.6*	19.73
9.0	HR																									5.6*	5.6*	20.08
7.5	HR																									5.7*	5.7*	20.31
6.0	HR																									5.8*	5.8*	20.42
4.5	HR																									5.8*	5.8*	20.42
3.0	HR	9.0*	9.0*	19.5*	19.5*	15.0*	15.0*	12.3*	12.3*	10.5*	10.5*	9.2*	9.2*	8.2*	8.2*	7.5*	7.5*	6.9*	6.9*	6.5*	6.5*	6.1*	6.1*		5.9*	5.9*	20.42	
1.5	HR	5.6*	5.6*	12.7*	12.7*	16.5*	16.5*	13.4*	13.4*	11.2*	11.2*	9.8*	9.8*	8.7*	8.7*	7.8*	7.8*	7.2*	7.2*	6.6*	6.6*	6.2*	6.2*		6.0*	6.0*	20.30	
0	HR	5.2*	5.2*	9.5*	9.5*	17.8*	17.8*	14.3*	14.3*	11.9*	11.9*	10.3*	10.3*	9.1*	9.1*	8.1*	8.1*	7.4*	7.4*	6.8*	6.8*	6.3*	6.3*		6.2*	6.2*	20.08	
-1.5	HR	5.6*	5.6*	8.8*	8.8*	14.9*	14.9*	15.0*	15.0*	12.5*	12.5*	10.7*	10.7*	9.4*	9.4*	8.4*	8.4*	7.6*	7.6*	7.0*	7.0*	6.4*	6.4*		6.3*	6.3*	19.73	
-3.0	HR	6.2*	6.2*	8.8*	8.8*	13.5*	13.5*	15.5*	15.5*	12.9*	12.9*	11.1*	11.1*	9.7*	9.7*	8.6*	8.6*	7.8*	7.8*	7.0*	7.0*				6.5*	6.5*	19.26	
-4.5	HR	6.9*	6.9*	9.2*	9.2*	13.2*	13.2*	15.7*	15.7*	13.2*	13.2*	11.3*	11.3*	9.9*	9.9*	8.7*	8.7*	7.8*	7.8*	7.0*	7.0*				6.7*	6.7*	18.65	
-6.0	HR	7.5*	7.5*	9.7*	9.7*	13.4*	13.4*	15.7*	15.7*	13.2*	13.2*	11.3*	11.3*	9.9*	9.9*	8.7*	8.7*	7.7*	7.7*						6.9*	6.9*	17.89	
-7.5	HR			10.3*	10.3*	14.0*	14.0*	15.3*	15.3*	13.0*	13.0*	11.1*	11.1*	9.7*	9.7*	8.5*	8.5*	7.4*	7.4*						7.0*	7.0*	16.97	
	HR							14.6*	14.6*	12.4*	12.4*	10.6*	10.6*	9.2*	9.2*	7.9*	7.9*								7.8*	7.8*	15.14	

Height Can be slewed through 360° In longitudinal position of undercarriage Max. reach \* Limited by hydr. capacity

The lift capacities are stated in metric tonnes (t) on the lifting gear's stick tip, and can be lifted 360° on firm, level supporting surface. Capacities are valid for 750 mm track flat pads. Indicated loads are based on ISO 10567 standard and do not exceed 75 % of tipping or 87 % of hydraulic capacity (indicated via \*). Lifting capacity of the excavator is limited by machine stability, hydraulic capacity and maximum permissible load of the load hook.

According to European Standard, EN 474-5: In the European Union excavators have to be equipped with an overload warning device, a load diagram and automatic check valves on the hoist cylinders, when they are used for lifting operations which require the use of lifting accessories.

# Lift Capacities

with Industrial-Type Gooseneck Boom 11.50 m

## Industrial Stick 9.00 m (Variant 3D)

m	Under-carriage	4.5 m		6.0 m		7.5 m		9.0 m		10.5 m		12.0 m		13.5 m		15.0 m		16.5 m		18.0 m		19.5 m		21.0 m		m			
25.5	HR																												
24.0	HR																												
22.5	HR																												
21.0	HR																												
19.5	HR										9.1*	9.1*															8.0*	8.0*	11.22
18.0	HR												8.4*	8.4*													7.4*	7.4*	13.13
16.5	HR												8.2*	8.2*	7.8*	7.8*											7.0*	7.0*	14.63
15.0	HR												8.1*	8.1*	7.7*	7.7*	7.4*	7.4*									6.8*	6.8*	15.84
13.5	HR												8.1*	8.1*	7.7*	7.7*	7.3*	7.3*	7.1*	7.1*							6.6*	6.6*	16.83
12.0	HR												8.9*	8.9*	8.3*	8.3*	7.8*	7.8*	7.4*	7.4*	7.1*	7.1*					6.6*	6.6*	17.63
10.5	HR												9.2*	9.2*	8.5*	8.5*	8.0*	8.0*	7.5*	7.5*	7.1*	7.1*	6.8*	6.8*			6.6*	6.6*	18.27
9.0	HR												9.7*	9.7*	8.9*	8.9*	8.2*	8.2*	7.7*	7.7*	7.2*	7.2*	6.9*	6.9*			6.6*	6.6*	18.77
7.5	HR												10.8*	10.8*	10.3*	10.3*	9.3*	9.3*	8.5*	8.5*	7.9*	7.9*	7.4*	7.4*	6.9*	6.9*	6.7*	6.7*	19.13
6.0	HR	25.0*	25.0*	18.6*	18.6*	15.0*	15.0*	12.7*	12.7*	11.0*	11.0*	9.8*	9.8*	8.9*	8.9*	8.1*	8.1*	7.5*	7.5*	7.1*	7.1*	6.8*	6.8*			6.7*	6.7*	19.37	
4.5	HR	12.0*	12.0*	21.3*	21.3*	16.6*	16.6*	13.7*	13.7*	11.7*	11.7*	10.3*	10.3*	9.2*	9.2*	8.4*	8.4*	7.7*	7.7*	7.2*	7.2*	7.2*	7.2*			6.7*	6.7*	19.48	
3.0	HR	5.0*	5.0*	14.5*	14.5*	18.0*	18.0*	14.6*	14.6*	12.4*	12.4*	10.8*	10.8*	9.6*	9.6*	8.7*	8.7*	7.9*	7.9*	7.3*	7.3*	7.3*	7.3*			6.7*	6.7*	19.48	
1.5	HR	4.4*	4.4*	9.4*	9.4*	19.1*	19.1*	15.4*	15.4*	13.0*	13.0*	11.2*	11.2*	9.9*	9.9*	8.9*	8.9*	8.1*	8.1*	7.4*	7.4*	7.4*	7.4*			6.8*	6.8*	19.36	
0	HR	4.8*	4.8*	8.4*	8.4*	15.3*	15.3*	16.0*	16.0*	13.4*	13.4*	11.5*	11.5*	10.1*	10.1*	9.0*	9.0*	8.2*	8.2*	7.4*	7.4*	7.4*	7.4*			6.9*	6.9*	19.12	
-1.5	HR	5.6*	5.6*	8.4*	8.4*	13.6*	13.6*	16.3*	16.3*	13.7*	13.7*	11.8*	11.8*	10.3*	10.3*	9.1*	9.1*	8.2*	8.2*	7.4*	7.4*	7.4*	7.4*			6.9*	6.9*	18.76	
-3.0	HR	6.5*	6.5*	8.9*	8.9*	13.1*	13.1*	16.3*	16.3*	13.7*	13.7*	11.8*	11.8*	10.3*	10.3*	9.1*	9.1*	8.1*	8.1*	7.2*	7.2*	7.2*	7.2*			7.0*	7.0*	18.26	
-4.5	HR			9.5*	9.5*	13.3*	13.3*	16.0*	16.0*	13.6*	13.6*	11.7*	11.7*	10.2*	10.2*	8.9*	8.9*	7.9*	7.9*							7.1*	7.1*	17.62	
-6.0	HR							15.4*	15.4*	13.1*	13.1*	11.3*	11.3*	9.8*	9.8*	8.5*	8.5*									8.1*	8.1*	15.57	
-7.5	HR																												

## Industrial Stick 10.00 m (Variant 3D)

m	Under-carriage	4.5 m		6.0 m		7.5 m		9.0 m		10.5 m		12.0 m		13.5 m		15.0 m		16.5 m		18.0 m		19.5 m		21.0 m		m			
25.5	HR																												
24.0	HR																												
22.5	HR																												
21.0	HR																												
19.5	HR																												
18.0	HR																												
16.5	HR																												
15.0	HR																												
13.5	HR																												
12.0	HR																												
10.5	HR																												
9.0	HR																												
7.5	HR																												
6.0	HR	26.4*	26.4*	19.2*	19.2*	15.2*	15.2*	12.7*	12.7*	10.9*	10.9*	9.6*	9.6*	8.7*	8.7*	7.9*	7.9*	7.4*	7.4*	6.9*	6.9*	6.5*	6.5*			6.1*	6.1*	20.42	
4.5	HR	9.0*	9.0*	21.6*	21.6*	16.7*	16.7*	13.7*	13.7*	11.6*	11.6*	10.1*	10.1*	9.0*	9.0*	8.2*	8.2*	7.5*	7.5*	6.9*	6.9*	6.4*	6.4*			6.1*	6.1*	20.42	
3.0	HR	5.6*	5.6*	12.7*	12.7*	18.0*	18.0*	14.6*	14.6*	12.3*	12.3*	10.6*	10.6*	9.4*	9.4*	8.4*	8.4*	7.7*	7.7*	7.0*	7.0*	6.5*	6.5*			6.2*	6.2*	20.30	
1.5	HR	5.2*	5.2*	9.5*	9.5*	18.9*	18.9*	15.2*	15.2*	12.8*	12.8*	11.0*	11.0*	9.7*	9.7*	8.6*	8.6*	7.8*	7.8*	7.1*	7.1*	6.5*	6.5*			6.2*	6.2*	20.08	
0	HR	5.6*	5.6*	8.8*	8.8*	14.9*	14.9*	15.7*	15.7*	13.1*	13.1*	11.3*	11.3*	9.9*	9.9*	8.8*	8.8*	7.9*	7.9*	7.1*	7.1*	6.4*	6.4*			6.3*	6.3*	19.73	
-1.5	HR	6.2*	6.2*	8.8*	8.8*	13.5*	13.5*	15.9*	15.9*	13.3*	13.3*	11.4*	11.4*	10.0*	10.0*	8.8*	8.8*	7.9*	7.9*	7.1*	7.1*	6.4*	6.4*			6.4*	6.4*	19.26	
-3.0	HR	6.9*	6.9*	9.2*	9.2*	13.2*	13.2*	15.8*	15.8*	13.3*	13.3*	11.4*	11.4*	10.0*	10.0*	8.8*	8.8*	7.8*	7.8*	6.9*	6.9*					6.5*	6.5*	18.65	
-4.5	HR			9.7*	9.7*	13.4*	13.4*	15.4*	15.4*	13.0*	13.0*	11.2*	11.2*	9.8*	9.8*	8.5*	8.5*	7.5*	7.5*							6.7*	6.7*	17.56	
-6.0	HR																												
-7.5	HR																												

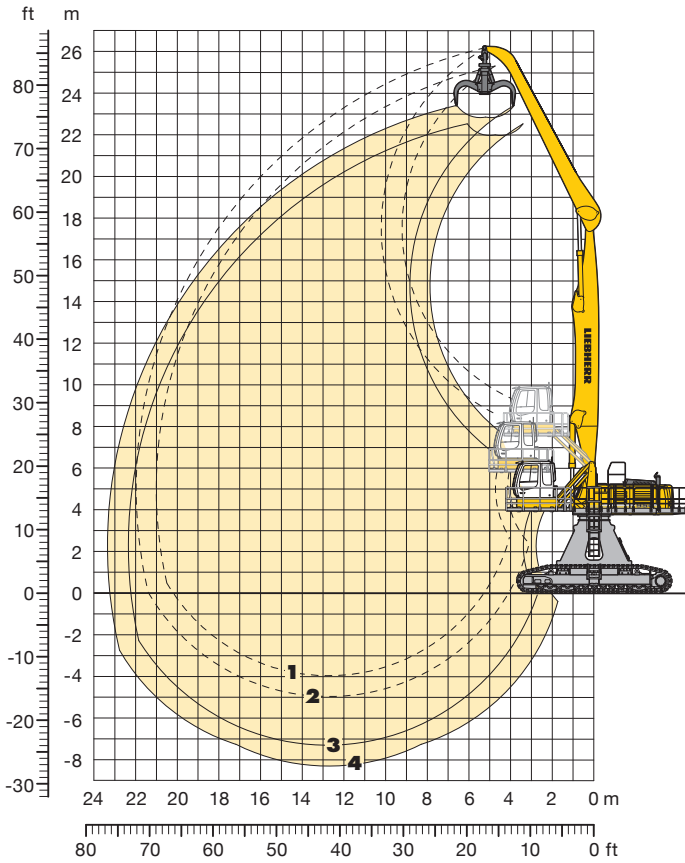
Height Can be slewed through 360° In longitudinal position of undercarriage Max. reach \* Limited by hydr. capacity

The lift capacities are stated in metric tonnes (t) on the lifting gear's stick tip, and can be lifted 360° on firm, level supporting surface. Capacities are valid for 750 mm track flat pads. Indicated loads are based on ISO 10567 standard and do not exceed 75 % of tipping or 87 % of hydraulic capacity (indicated via \*). Lifting capacity of the excavator is limited by machine stability, hydraulic capacity and maximum permissible load of the load hook.

According to European Standard, EN 474-5: In the European Union excavators have to be equipped with an overload warning device, a load diagram and automatic check valves on the hoist cylinders, when they are used for lifting operations which require the use of lifting accessories.

# Industrial Attachment

with Industrial-Type Straight Boom 12.50 m



## Attachment Envelope

Kinematic variant 2A

- 1** with industrial stick 9.00 m
- 2** with industrial stick 10.00 m
- 3** with industrial stick 9.00 m and grapple model 72 C
- 4** with industrial stick 10.00 m and grapple model 72 C

## Operating Weight and Ground Pressure

Operating weight includes basic machine with hydraulic cab elevation parallelogram + intermediate piece 0.5 m, counterweight 14.5 t, industrial-type straight boom 12.50 m, industrial stick 9.00 m and grapple model 72 C with 5 semi-closed tines 1.20 m<sup>3</sup>.

Undercarriage	HR
Pad width	mm 750
Weight	kg 97,300
Ground pressure	kg/cm <sup>2</sup> 1.01

Operating weight includes basic machine with hydraulic cab elevation parallelogram + intermediate piece 0.5 m, counterweight 14.5 t, industrial-type straight boom 12.50 m, industrial stick 10.00 m and grapple model 72 C with 5 semi-closed tines 1.20 m<sup>3</sup>.

Undercarriage	HR
Pad width	mm 750
Weight	kg 97,700
Ground pressure	kg/cm <sup>2</sup> 1.02

# Lift Capacities

with Industrial-Type Straight Boom 12.50 m

## Industrial Stick 9.00 m (Variant 2A)

m	Under-carriage	4.5 m		6.0 m		7.5 m		9.0 m		10.5 m		12.0 m		13.5 m		15.0 m		16.5 m		18.0 m		19.5 m		21.0 m		m		
25.5	HR																											
24.0	HR																											
22.5	HR																											
21.0	HR																											
19.5	HR																											
18.0	HR																											
16.5	HR																											
15.0	HR																											
13.5	HR																											
12.0	HR																											
10.5	HR																											
9.0	HR																											
7.5	HR																											
6.0	HR																											
4.5	HR																											
3.0	HR																											
1.5	HR																											
0	HR																											
-1.5	HR																											
-3.0	HR																											
-4.5	HR																											
-6.0	HR																											
-7.5	HR																											

## Industrial Stick 10.00 m (Variant 2A)

m	Under-carriage	4.5 m		6.0 m		7.5 m		9.0 m		10.5 m		12.0 m		13.5 m		15.0 m		16.5 m		18.0 m		19.5 m		21.0 m		m		
25.5	HR																											
24.0	HR																											
22.5	HR																											
21.0	HR																											
19.5	HR																											
18.0	HR																											
16.5	HR																											
15.0	HR																											
13.5	HR																											
12.0	HR																											
10.5	HR																											
9.0	HR																											
7.5	HR																											
6.0	HR																											
4.5	HR																											
3.0	HR																											
1.5	HR																											
0	HR																											
-1.5	HR																											
-3.0	HR																											
-4.5	HR																											
-6.0	HR																											
-7.5	HR																											

Height Can be slewed through 360° In longitudinal position of undercarriage Max. reach \* Limited by hydr. capacity

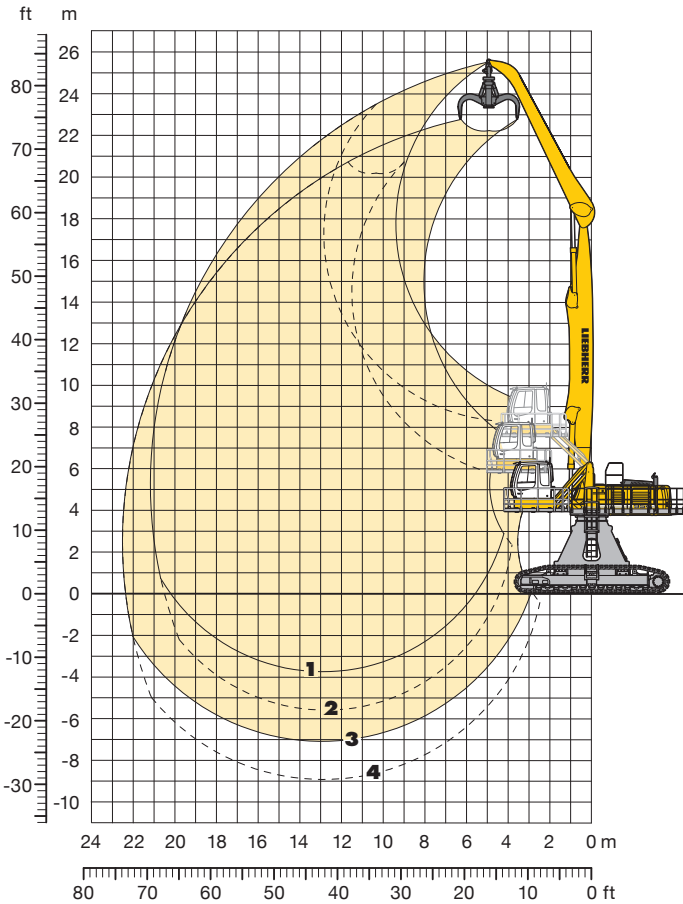
The lift capacities are stated in metric tonnes (t) on the lifting gear's stick tip, and can be lifted 360° on firm, level supporting surface. Capacities are valid for 750 mm track flat pads. Indicated loads are based on ISO 10567 standard and do not exceed 75 % of tipping or 87 % of hydraulic capacity (indicated via \*). Lifting capacity of the excavator is limited by machine stability, hydraulic capacity and maximum permissible load of the load hook.

According to European Standard, EN 474-5: In the European Union excavators have to be equipped with an overload warning device, a load diagram and automatic check valves on the hoist cylinders, when they are used for lifting operations which require the use of lifting accessories.



# Industrial Attachment

with Industrial-Type Straight Boom 12.50 m



## Attachment Envelope

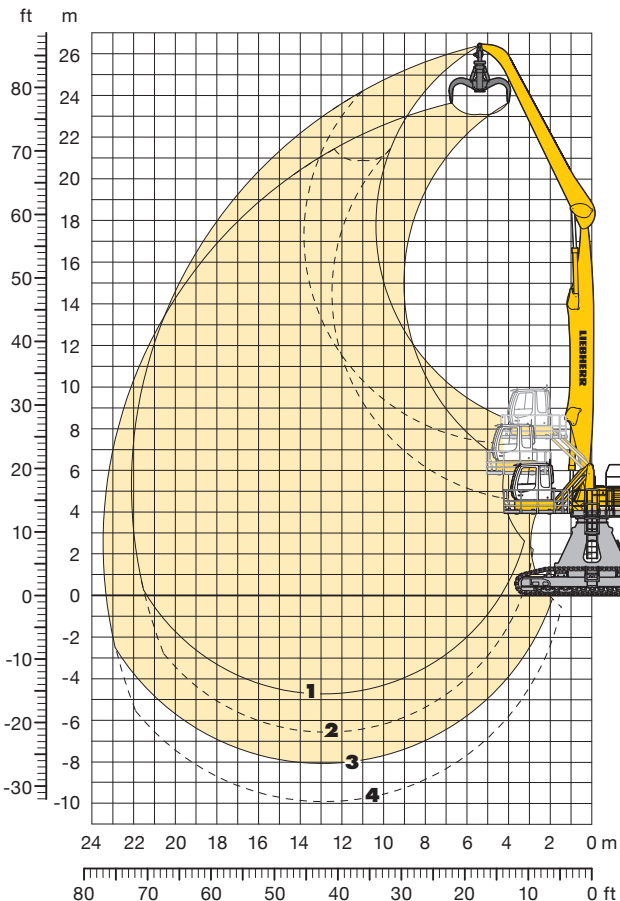
Kinematic variants 3A/3B

- 1** with industrial stick 9.00 m (3B)
- 2** with industrial stick 9.00 m and grapple model 72 C (3B)
- 3** with industrial stick 9.00 m (3A)
- 4** with industrial stick 9.00 m and grapple model 72 C (3A)

## Operating Weight and Ground Pressure

Operating weight includes basic machine with hydraulic cab elevation parallelogram + intermediate piece 0.5 m, counterweight 14.5 t, industrial-type straight boom 12.50 m, industrial stick 9.00 m and grapple model 72 C with 5 semi-closed tines 1.20 m<sup>3</sup>.

Undercarriage	HR
Pad width	mm 750
Weight	kg 97,300
Ground pressure	kg/cm <sup>2</sup> 1.01



## Attachment Envelope

Kinematic variants 3A/3B

- 1** with industrial stick 10.00 m (3B)
- 2** with industrial stick 10.00 m and grapple model 72 C (3B)
- 3** with industrial stick 10.00 m (3A)
- 4** with industrial stick 10.00 m and grapple model 72 C (3A)

## Operating Weight and Ground Pressure

Operating weight includes basic machine with hydraulic cab elevation parallelogram + intermediate piece 0.5 m, counterweight 14.5 t, industrial-type straight boom 12.50 m, industrial stick 10.00 m and grapple model 72 C with 5 semi-closed tines 1.20 m<sup>3</sup>.

Undercarriage	HR
Pad width	mm 750
Weight	kg 97,700
Ground pressure	kg/cm <sup>2</sup> 1.02



# Lift Capacities

with Industrial-Type Straight Boom 12.50 m

## Industrial Stick 9.00 m (Variant 3A)

m	Under-carriage	4.5 m		6.0 m		7.5 m		9.0 m		10.5 m		12.0 m		13.5 m		15.0 m		16.5 m		18.0 m		19.5 m		21.0 m		m				
25.5	HR																													
24.0	HR																													
22.5	HR																													
21.0	HR														8.9*	8.9*											8.9*	8.9*	11.98	
19.5	HR													9.4*	9.4*	8.6*	8.6*										7.5*	7.5*	15.51	
18.0	HR													9.3*	9.3*	8.6*	8.6*	7.9*	7.9*								7.1*	7.1*	16.80	
16.5	HR													9.3*	9.3*	8.6*	8.6*	8.0*	8.0*								6.9*	6.9*	17.86	
15.0	HR													9.3*	9.3*	8.6*	8.6*	7.9*	7.9*		7.4*	7.4*					6.7*	6.7*	18.74	
13.5	HR													9.4*	9.4*	8.6*	8.6*	7.9*	7.9*	7.3*	7.3*						6.6*	6.6*	19.46	
12.0	HR													10.6*	10.6*	9.6*	9.6*	8.7*	8.7*	8.0*	8.0*	7.3*	7.3*	6.8*	6.8*		6.5*	6.5*	20.04	
10.5	HR													12.3*	12.3*	10.9*	10.9*	9.7*	9.7*	8.8*	8.8*	8.0*	8.0*	7.4*	7.4*	6.7*	6.7*	5.9*	5.9*	20.49
9.0	HR					17.7*	17.7*	14.8*	14.8*	12.7*	12.7*	11.1*	11.1*	9.9*	9.9*	8.9*	8.9*	8.1*	8.1*	7.4*	7.4*	6.7*	6.7*				6.1*	6.1*	20.82	
7.5	HR	7.0*	7.0*	23.9*	23.9*	18.7*	18.7*	15.4*	15.4*	13.1*	13.1*	11.4*	11.4*	10.1*	10.1*	9.0*	9.0*	8.2*	8.2*	7.4*	7.4*	6.7*	6.7*	5.9*	5.9*	5.9*	5.9*	21.04		
6.0	HR			7.7*	7.7*	19.5*	19.5*	15.9*	15.9*	13.4*	13.4*	11.6*	11.6*	10.2*	10.2*	9.1*	9.1*	8.2*	8.2*	7.4*	7.4*	6.6*	6.6*	5.8*	5.8*	5.7*	5.7*	21.15		
4.5	HR			3.8*	3.8*	13.0*	13.0*	10.2*	10.2*	8.6*	8.6*	7.3*	7.3*	6.5*	6.5*	5.6*	5.6*	4.7*	4.7*	3.9*	3.9*	3.3*	3.3*	2.8*	2.8*	2.8*	2.8*	21.15		
3.0	HR	0.4*	0.4*	3.3*	3.3*	8.8*	8.8*	6.2*	6.2*	5.3*	5.3*	4.5*	4.5*	3.8*	3.8*	3.1*	3.1*	2.5*	2.5*	2.0*	2.0*	1.6*	1.6*	1.3*	1.3*	1.0*	1.0*	21.04		
1.5	HR	1.5*	1.5*	3.9*	3.9*	7.9*	7.9*	5.9*	5.9*	5.0*	5.0*	4.2*	4.2*	3.5*	3.5*	2.8*	2.8*	2.2*	2.2*	1.7*	1.7*	1.3*	1.3*	1.0*	1.0*	0.8*	0.8*	20.82		
0	HR	2.8*	2.8*	4.7*	4.7*	8.1*	8.1*	6.1*	6.1*	5.2*	5.2*	4.4*	4.4*	3.6*	3.6*	2.9*	2.9*	2.3*	2.3*	1.8*	1.8*	1.4*	1.4*	1.1*	1.1*	0.9*	0.9*	20.49		
-1.5	HR			5.8*	5.8*	8.7*	8.7*	6.7*	6.7*	5.8*	5.8*	5.0*	5.0*	4.2*	4.2*	3.5*	3.5*	2.8*	2.8*	2.2*	2.2*	1.7*	1.7*	1.3*	1.3*	1.0*	1.0*	20.03		
-3.0	HR					9.6*	9.6*	7.6*	7.6*	6.7*	6.7*	5.9*	5.9*	5.1*	5.1*	4.3*	4.3*	3.6*	3.6*	2.9*	2.9*	2.3*	2.3*	1.8*	1.8*	1.4*	1.4*	19.06		
-4.5	HR							11.2*	11.2*	9.2*	9.2*	8.3*	8.3*	7.5*	7.5*	6.7*	6.7*	5.9*	5.9*	5.1*	5.1*	4.3*	4.3*	3.5*	3.5*	2.8*	2.8*	17.03		
-6.0	HR									9.9*	9.9*	9.0*	9.0*	8.2*	8.2*	7.4*	7.4*	6.6*	6.6*	5.8*	5.8*	5.0*	5.0*	4.2*	4.2*	3.4*	3.4*			
-7.5	HR													7.6*	7.6*	6.8*	6.8*	6.0*	6.0*	5.2*	5.2*	4.4*	4.4*	3.6*	3.6*	2.8*	2.8*			

## Industrial Stick 10.00 m (Variant 3A)

m	Under-carriage	4.5 m		6.0 m		7.5 m		9.0 m		10.5 m		12.0 m		13.5 m		15.0 m		16.5 m		18.0 m		19.5 m		21.0 m		m					
25.5	HR																														
24.0	HR																														
22.5	HR														7.6*	7.6*												8.3*	8.3*	11.41	
21.0	HR														9.1*	9.1*	7.5*	7.5*										6.8*	6.8*	15.38	
19.5	HR															8.3*	8.3*	7.1*	7.1*									6.4*	6.4*	16.82	
18.0	HR															8.2*	8.2*	7.6*	7.6*		6.1*	6.1*					6.1*	6.1*	18.00		
16.5	HR															8.2*	8.2*	7.6*	7.6*	7.0*	7.0*						5.9*	5.9*	19.00		
15.0	HR															8.2*	8.2*	7.6*	7.6*	7.0*	7.0*						5.8*	5.8*	19.83		
13.5	HR														9.0*	9.0*	8.2*	8.2*	7.6*	7.6*	7.0*	7.0*	6.5*	6.5*			5.7*	5.7*	20.51		
12.0	HR														9.1*	9.1*	8.3*	8.3*	7.6*	7.6*	7.0*	7.0*	6.5*	6.5*	5.8*	5.8*	5.7*	5.7*	21.06		
10.5	HR														10.4*	10.4*	9.3*	9.3*	8.4*	8.4*	7.7*	7.7*	7.1*	7.1*	6.5*	6.5*	5.9*	5.9*	21.49		
9.0	HR														12.1*	12.1*	10.6*	10.6*	9.5*	9.5*	8.6*	8.6*	7.8*	7.8*	7.1*	7.1*	6.5*	6.5*	5.9*	5.9*	21.81
7.5	HR			22.4*	22.4*	17.7*	17.7*	14.7*	14.7*	12.5*	12.5*	10.9*	10.9*	9.7*	9.7*	8.7*	8.7*	7.8*	7.8*	7.1*	7.1*	6.5*	6.5*	5.9*	5.9*	5.5*	5.5*	22.01			
6.0	HR	3.4*	3.4*	24.0*	24.0*	18.7*	18.7*	15.3*	15.3*	12.9*	12.9*	11.2*	11.2*	9.8*	9.8*	8.8*	8.8*	7.9*	7.9*	7.1*	7.1*	6.4*	6.4*	5.8*	5.8*	5.2*	5.2*	22.12			
4.5	HR	0.9*	0.9*	6.6*	6.6*	19.3*	19.3*	15.7*	15.7*	13.2*	13.2*	11.4*	11.4*	9.9*	9.9*	8.8*	8.8*	7.9*	7.9*	7.1*	7.1*	6.4*	6.4*	5.6*	5.6*	5.0*	5.0*	22.12			
3.0	HR	1.1*	1.1*	4.4*	4.4*	11.7*	11.7*	15.9*	15.9*	13.3*	13.3*	11.4*	11.4*	10.0*	10.0*	8.8*	8.8*	7.8*	7.8*	7.0*	7.0*	6.2*	6.2*	5.5*	5.5*	4.8*	4.8*	22.01			
1.5	HR	1.8*	1.8*	4.3*	4.3*	9.0*	9.0*	15.8*	15.8*	13.3*	13.3*	11.4*	11.4*	9.9*	9.9*	8.7*	8.7*	7.7*	7.7*	6.9*	6.9*	6.0*	6.0*	5.2*	5.2*	4.6*	4.6*	21.80			
0	HR	2.7*	2.7*	4.8*	4.8*	8.5*	8.5*	15.3*	15.3*	13.0*	13.0*	11.1*	11.1*	9.7*	9.7*	8.5*	8.5*	7.5*	7.5*	6.6*	6.6*	5.7*	5.7*	4.8*	4.8*	4.3*	4.3*	21.48			
-1.5	HR	3.7*	3.7*	5.6*	5.6*	8.7*	8.7*	14.5*	14.5*	12.4*	12.4*	10.7*	10.7*	9.3*	9.3*	8.2*	8.2*	7.1*	7.1*	6.2*	6.2*	5.3*	5.3*	4.1*	4.1*	4.0*	4.0*	21.05			
-3.0	HR			6.4*	6.4*	9.3*	9.3*	13.5*	13.5*	11.6*	11.6*	10.1*	10.1*	8.8*	8.8*	7.6*	7.6*	6.6*	6.6*	5.7*	5.7*	4.6*	4.6*			3.7*	3.7*	20.42			
-4.5	HR					10.1*	10.1*	12.0*	12.0*	10.5*	10.5*	9.1*	9.1*	8.0*	8.0*	6.9*	6.9*	5.9*	5.9*	4.8*	4.8*					4.1*	4.1*	18.86			
-6.0	HR									9.0*	9.0*	7.9*	7.9*	6.8*	6.8*	5.8*	5.8*									5.1*	5.1*	16.11			
-7.5	HR																														

Height Can be slewed through 360° In longitudinal position of undercarriage Max. reach \* Limited by hydr. capacity

The lift capacities are stated in metric tonnes (t) on the lifting gear's stick tip, and can be lifted 360° on firm, level supporting surface. Capacities are valid for 750 mm track flat pads. Indicated loads are based on ISO 10567 standard and do not exceed 75 % of tipping or 87 % of hydraulic capacity (indicated via \*). Lifting capacity of the excavator is limited by machine stability, hydraulic capacity and maximum permissible load of the load hook.

According to European Standard, EN 474-5: In the European Union excavators have to be equipped with an overload warning device, a load diagram and automatic check valves on the hoist cylinders, when they are used for lifting operations which require the use of lifting accessories.

# Lift Capacities

with Industrial-Type Straight Boom 12.50 m

## Industrial Stick 9.00 m (Variant 3B)

↑ m	Under-carriage	4.5 m		6.0 m		7.5 m		9.0 m		10.5 m		12.0 m		13.5 m		15.0 m		16.5 m		18.0 m		19.5 m		21.0 m		m				
25.5	HR																									14.3*	14.3*	5.06		
24.0	HR																										10.3*	10.3*	9.35	
22.5	HR					12.8*	12.8*	10.9*	10.9*																		8.9*	8.9*	11.98	
21.0	HR							11.9*	11.9*	10.7*	10.7*																8.0*	8.0*	13.95	
19.5	HR							11.4*	11.4*	10.3*	10.3*	9.4*	9.4*	8.7*	8.7*												7.5*	7.5*	15.51	
18.0	HR									10.0*	10.0*	9.2*	9.2*	8.5*	8.5*	8.0*	8.0*										7.1*	7.1*	16.80	
16.5	HR									9.9*	9.9*	9.1*	9.1*	8.4*	8.4*	7.8*	7.8*	7.4*	7.4*								6.9*	6.9*	17.86	
15.0	HR									11.2*	11.2*	10.1*	10.1*	9.1*	9.1*	8.4*	8.4*	7.8*	7.8*	7.3*	7.3*			6.8*	6.8*		6.7*	6.7*	18.74	
13.5	HR									11.6*	11.6*	10.3*	10.3*	9.3*	9.3*	8.5*	8.5*	7.8*	7.8*	7.3*	7.3*	6.8*	6.8*				6.5*	6.5*	19.46	
12.0	HR																										6.3*	6.3*	20.04	
10.5	HR			14.8*	14.8*	14.8*	14.8*	12.6*	12.6*	11.0*	11.0*	9.8*	9.8*	8.9*	8.9*	8.1*	8.1*	7.5*	7.5*	7.0*	7.0*	6.9*	6.9*	6.4*	6.4*		6.1*	6.1*	20.49	
9.0	HR	17.5*	17.5*	19.8*	19.8*	15.9*	15.9*	13.3*	13.3*	11.5*	11.5*	10.2*	10.2*	9.1*	9.1*	8.3*	8.3*	7.6*	7.6*	7.0*	7.0*	6.5*	6.5*	6.0*	6.0*		5.9*	5.9*	20.82	
7.5	HR	7.0*	7.0*	21.8*	21.8*	17.1*	17.1*	14.1*	14.1*	12.0*	12.0*	10.5*	10.5*	9.3*	9.3*	8.4*	8.4*	7.7*	7.7*	7.0*	7.0*	6.5*	6.5*	5.9*	5.9*	5.9*	5.9*	5.9*	21.04	
6.0	HR			7.7*	7.7*	18.1*	18.1*	14.8*	14.8*	12.5*	12.5*	10.8*	10.8*	9.6*	9.6*	8.6*	8.6*	7.8*	7.8*	7.1*	7.1*	6.5*	6.5*	5.9*	5.9*	5.8*	5.8*	5.8*	21.15	
4.5	HR			3.8*	3.8*	13.0*	13.0*	15.3*	15.3*	12.9*	12.9*	11.1*	11.1*	9.8*	9.8*	8.7*	8.7*	7.8*	7.8*	7.1*	7.1*	6.5*	6.5*	5.8*	5.8*	5.7*	5.7*	5.7*	21.15	
3.0	HR	0.4*	0.4*	3.3*	3.3*	8.8*	8.8*	15.7*	15.7*	13.1*	13.1*	11.3*	11.3*	9.9*	9.9*	8.8*	8.8*	7.9*	7.9*	7.1*	7.1*	6.4*	6.4*	5.6*	5.6*	5.6*	5.6*	5.6*	21.04	
1.5	HR			3.9*	3.9*	7.9*	7.9*	15.8*	15.8*	13.2*	13.2*	11.4*	11.4*	9.9*	9.9*	8.8*	8.8*	7.9*	7.9*	7.0*	7.0*	6.3*	6.3*			5.5*	5.5*	20.82		
0	HR			4.7*	4.7*	8.1*	8.1*	14.4*	14.4*	13.1*	13.1*	11.3*	11.3*	9.9*	9.9*	8.7*	8.7*	7.7*	7.7*	6.9*	6.9*	6.0*	6.0*			5.6*	5.6*	20.19		
-1.5	HR					8.7*	8.7*	14.1*	14.1*	12.8*	12.8*	11.0*	11.0*	9.6*	9.6*	8.5*	8.5*	7.5*	7.5*	6.6*	6.6*					6.0*	6.0*	18.83		
-3.0	HR									12.2*	12.2*	10.6*	10.6*	9.2*	9.2*	8.1*	8.1*										7.1*	7.1*	16.46	
-4.5	HR																													
-6.0	HR																													
-7.5	HR																													

## Industrial Stick 10.00 m (Variant 3B)

↑ m	Under-carriage	4.5 m		6.0 m		7.5 m		9.0 m		10.5 m		12.0 m		13.5 m		15.0 m		16.5 m		18.0 m		19.5 m		21.0 m		m			
25.5	HR					11.3*	11.3*																			10.2*	10.2*	8.32	
24.0	HR							11.2*	11.2*																		8.3*	8.3*	11.41
22.5	HR									10.0*	10.0*	9.1*	9.1*	7.6*	7.6*												7.4*	7.4*	13.63
21.0	HR									9.6*	9.6*	8.8*	8.8*	8.1*	8.1*	7.5*	7.5*										6.8*	6.8*	15.38
19.5	HR									9.4*	9.4*	8.6*	8.6*	8.0*	8.0*	7.4*	7.4*	7.0*	7.0*								6.4*	6.4*	16.82
18.0	HR									9.3*	9.3*	8.5*	8.5*	7.9*	7.9*	7.3*	7.3*	6.9*	6.9*	6.1*	6.1*						6.1*	6.1*	18.00
16.5	HR									9.4*	9.4*	8.5*	8.5*	7.9*	7.9*	7.3*	7.3*	6.8*	6.8*	6.5*	6.5*						5.9*	5.9*	19.00
15.0	HR									9.5*	9.5*	8.6*	8.6*	7.9*	7.9*	7.3*	7.3*	6.8*	6.8*	6.4*	6.4*	6.1*	6.1*				5.8*	5.8*	19.83
13.5	HR									9.7*	9.7*	8.8*	8.8*	8.0*	8.0*	7.4*	7.4*	6.9*	6.9*	6.4*	6.4*	6.1*	6.1*				5.7*	5.7*	20.51
12.0	HR									11.3*	11.3*	10.0*	10.0*	9.0*	9.0*	8.2*	8.2*	7.5*	7.5*	7.0*	7.0*	6.5*	6.5*	6.1*	6.1*	5.7*	5.7*	21.06	
10.5	HR					13.2*	13.2*	11.8*	11.8*	10.4*	10.4*	9.3*	9.3*	8.4*	8.4*	7.7*	7.7*	7.1*	7.1*	6.5*	6.5*	6.1*	6.1*	5.7*	5.7*	5.5*	5.5*	21.49	
9.0	HR			13.4*	13.4*	14.8*	14.8*	12.5*	12.5*	10.9*	10.9*	9.6*	9.6*	8.6*	8.6*	7.8*	7.8*	7.2*	7.2*	6.6*	6.6*	6.1*	6.1*	5.7*	5.7*	5.4*	5.4*	21.81	
7.5	HR	27.4*	27.4*	20.1*	20.1*	16.0*	16.0*	13.3*	13.3*	11.4*	11.4*	10.0*	10.0*	8.9*	8.9*	8.0*	8.0*	7.3*	7.3*	6.7*	6.7*	6.2*	6.2*	5.7*	5.7*	5.3*	5.3*	22.01	
6.0	HR	3.4*	3.4*	22.0*	22.0*	17.1*	17.1*	14.0*	14.0*	11.9*	11.9*	10.3*	10.3*	9.1*	9.1*	8.2*	8.2*	7.4*	7.4*	6.8*	6.8*	6.2*	6.2*	5.7*	5.7*	5.3*	5.3*	22.12	
4.5	HR	0.9*	0.9*	6.6*	6.6*	18.0*	18.0*	14.6*	14.6*	12.3*	12.3*	10.6*	10.6*	9.3*	9.3*	8.3*	8.3*	7.5*	7.5*	6.8*	6.8*	6.2*	6.2*	5.6*	5.6*	5.2*	5.2*	22.12	
3.0	HR	1.1*	1.1*	4.4*	4.4*	11.7*	11.7*	15.1*	15.1*	12.6*	12.6*	10.9*	10.9*	9.5*	9.5*	8.4*	8.4*	7.6*	7.6*	6.8*	6.8*	6.2*	6.2*	5.6*	5.6*	5.1*	5.1*	22.01	
1.5	HR	1.8*	1.8*	4.3*	4.3*	9.0*	9.0*	15.3*	15.3*	12.8*	12.8*	11.0*	11.0*	9.6*	9.6*	8.5*	8.5*	7.6*	7.6*	6.8*	6.8*	6.1*	6.1*	5.4*	5.4*	5.0*	5.0*	21.80	
0	HR	2.7*	2.7*	4.8*	4.8*	8.5*	8.5*	15.3*	15.3*	12.8*	12.8*	11.0*	11.0*	9.6*	9.6*	8.5*	8.5*	7.5*	7.5*	6.7*	6.7*	6.0*	6.0*	5.2*	5.2*	4.9*	4.9*	21.39	
-1.5	HR			5.6*	5.6*	8.7*	8.7*	14.5*	14.5*	12.6*	12.6*	10.9*	10.9*	9.5*	9.5*	8.3*	8.3*	7.4*	7.4*	6.5*	6.5*	5.7*	5.7*			5.3*	5.3*	20.26	
-3.0	HR					9.3*	9.3*	14.3*	14.3*	12.2*	12.2*	10.5*	10.5*	9.2*	9.2*	8.1*	8.1*	7.1*	7.1*	6.2*	6.2*					5.9*	5.9*	18.53	
-4.5	HR											10.0*	10.0*	8.7*	8.7*	7.6*	7.6*										7.5*	7.5*	15.07
-6.0	HR																												
-7.5	HR																												

Height Can be slewed through 360° In longitudinal position of undercarriage Max. reach \* Limited by hydr. capacity

The lift capacities are stated in metric tonnes (t) on the lifting gear's stick tip, and can be lifted 360° on firm, level supporting surface. Capacities are valid for 750 mm track flat pads. Indicated loads are based on ISO 10567 standard and do not exceed 75 % of tipping or 87 % of hydraulic capacity (indicated via \*). Lifting capacity of the excavator is limited by machine stability, hydraulic capacity and maximum permissible load of the load hook.

According to European Standard, EN 474-5: In the European Union excavators have to be equipped with an overload warning device, a load diagram and automatic check valves on the hoist cylinders, when they are used for lifting operations which require the use of lifting accessories.

# Industrial Attachment

with Industrial-Type Gooseneck Boom 12.50 m

## Attachment Envelope

Kinematic variants 3C/3D

- 1 with industrial stick 9.00 m (3D)
- 2 with industrial stick 9.00 m and grapple model 72 C (3D)
- 3 with industrial stick 9.00 m (3C)
- 4 with industrial stick 9.00 m and grapple model 72 C (3C)

## Operating Weight and Ground Pressure

Operating weight includes basic machine with hydraulic cab elevation parallelogram + intermediate piece 0.5 m, counterweight 14.5 t, industrial-type gooseneck boom 12.50 m, industrial stick 9.00 m and grapple model 72 C with 5 semi-closed tines 1.20 m<sup>3</sup>.

Undercarriage	HR
Pad width	mm 750
Weight	kg 97,700
Ground pressure	kg/cm <sup>2</sup> 1.02

## Attachment Envelope

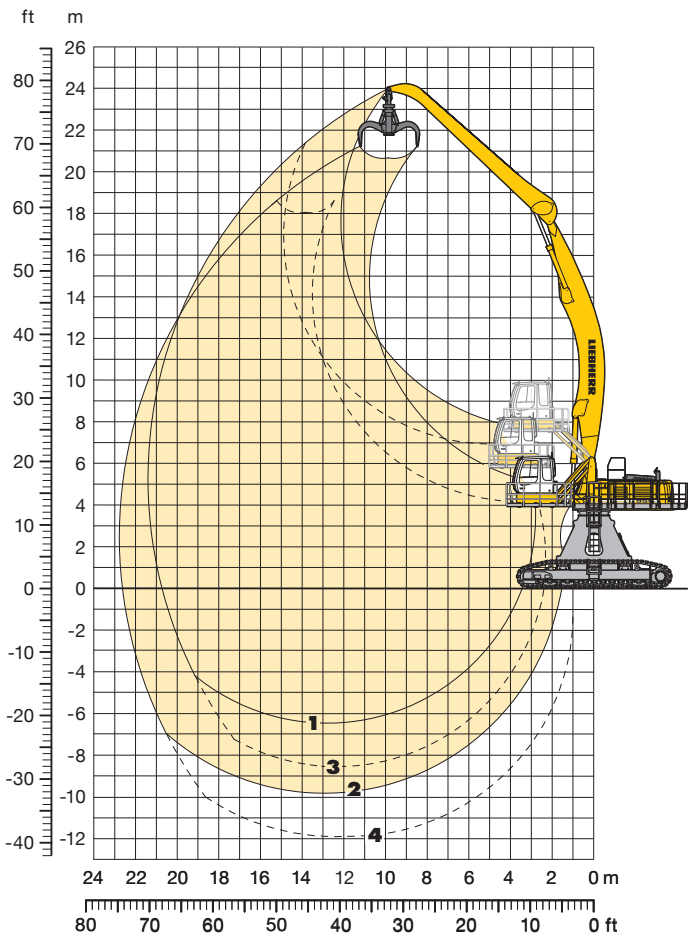
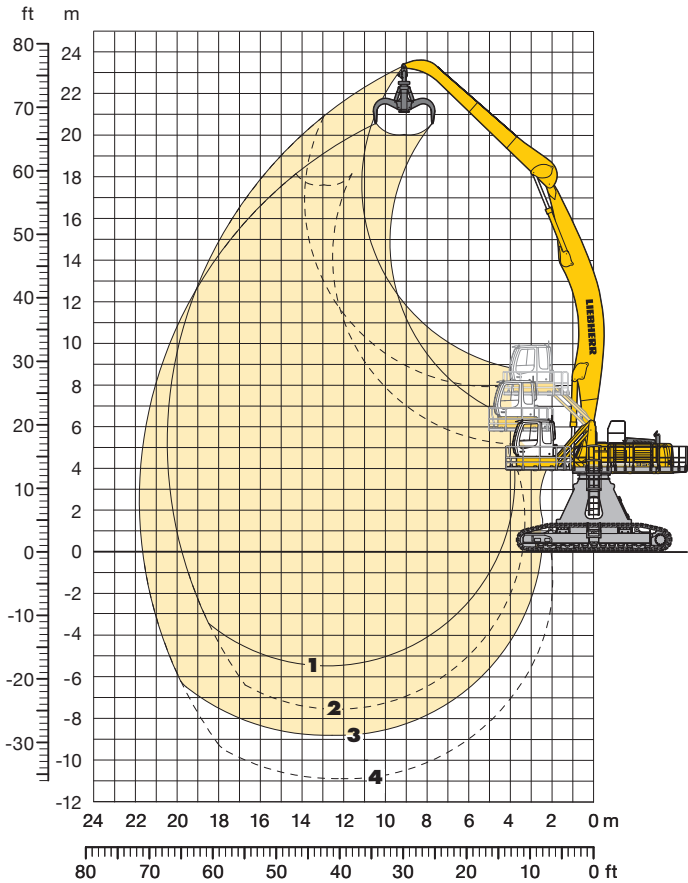
Kinematic variants 3C/3D

- 1 with industrial stick 10.00 m (3D)
- 2 with industrial stick 10.00 m and grapple model 72 C (3D)
- 3 with industrial stick 10.00 m (3C)
- 4 with industrial stick 10.00 m and grapple model 72 C (3C)

## Operating Weight and Ground Pressure

Operating weight includes basic machine with hydraulic cab elevation parallelogram + intermediate piece 0.5 m, counterweight 14.5 t, industrial-type gooseneck boom 12.50 m, industrial stick 10.00 m and grapple model 72 C with 5 semi-closed tines 1.20 m<sup>3</sup>.

Undercarriage	HR
Pad width	mm 750
Weight	kg 98,100
Ground pressure	kg/cm <sup>2</sup> 1.02



# Lift Capacities

with Industrial-Type Gooseneck Boom 12.50 m

## Industrial Stick 9.00 m (Variant 3C)

↑ m	Under-carriage	4.5 m		6.0 m		7.5 m		9.0 m		10.5 m		12.0 m		13.5 m		15.0 m		16.5 m		18.0 m		19.5 m		21.0 m		m			
25.5	HR																												
24.0	HR																												
22.5	HR																												
21.0	HR																												
19.5	HR													6.4*	6.4*											6.3*	6.3*	14.52	
18.0	HR															6.0*	6.0*									6.0*	6.0*	15.88	
16.5	HR															6.0*	6.0*	5.8*	5.8*							5.8*	5.8*	17.00	
15.0	HR															6.0*	6.0*	5.8*	5.8*							5.6*	5.6*	17.92	
13.5	HR													6.4*	6.4*	6.1*	6.1*	5.8*	5.8*	5.6*	5.6*					5.6*	5.6*	18.68	
12.0	HR													6.6*	6.6*	6.2*	6.2*	5.9*	5.9*	5.7*	5.7*					5.5*	5.5*	19.28	
10.5	HR										7.5*	7.5*		6.9*	6.9*	6.4*	6.4*	6.1*	6.1*	5.8*	5.8*	5.5*	5.5*			5.5*	5.5*	19.75	
9.0	HR								8.9*	8.9*	8.0*	8.0*		7.2*	7.2*	6.7*	6.7*	6.2*	6.2*	5.9*	5.9*	5.6*	5.6*			5.5*	5.5*	20.10	
7.5	HR	17.5*	17.5*	17.1*	17.1*	13.4*	13.4*	11.1*	11.1*	9.6*	9.6*	8.4*	8.4*	7.6*	7.6*	7.0*	7.0*	6.4*	6.4*	6.0*	6.0*	5.7*	5.7*			5.6*	5.6*	20.32	
6.0	HR	3.1*	3.1*	13.5*	13.5*	14.9*	14.9*	12.1*	12.1*	10.3*	10.3*	8.9*	8.9*	8.0*	8.0*	7.2*	7.2*	6.7*	6.7*	6.2*	6.2*	5.8*	5.8*			5.6*	5.6*	20.43	
4.5	HR	1.9*	1.9*	7.0*	7.0*	16.3*	16.3*	13.0*	13.0*	10.9*	10.9*	9.4*	9.4*	8.4*	8.4*	7.5*	7.5*	6.9*	6.9*	6.4*	6.4*	5.9*	5.9*			5.7*	5.7*	20.43	
3.0	HR	2.5*	2.5*	5.8*	5.8*	11.9*	11.9*	13.9*	13.9*	11.5*	11.5*	9.9*	9.9*	8.7*	8.7*	7.8*	7.8*	7.1*	7.1*	6.5*	6.5*	6.1*	6.1*			5.8*	5.8*	20.32	
1.5	HR	3.4*	3.4*	5.9*	5.9*	10.2*	10.2*	14.5*	14.5*	12.0*	12.0*	10.3*	10.3*	9.0*	9.0*	8.0*	8.0*	7.3*	7.3*	6.7*	6.7*	6.1*	6.1*			5.9*	5.9*	20.09	
0	HR	4.4*	4.4*	6.4*	6.4*	9.8*	9.8*	14.9*	14.9*	12.4*	12.4*	10.6*	10.6*	9.3*	9.3*	8.2*	8.2*	7.4*	7.4*	6.7*	6.7*	6.2*	6.2*			6.1*	6.1*	19.75	
-1.5	HR	5.4*	5.4*	7.1*	7.1*	10.0*	10.0*	15.1*	15.1*	12.6*	12.6*	10.8*	10.8*	9.4*	9.4*	8.4*	8.4*	7.5*	7.5*	6.8*	6.8*					6.2*	6.2*	19.27	
-3.0	HR	6.3*	6.3*	7.9*	7.9*	10.5*	10.5*	15.0*	15.0*	12.7*	12.7*	10.9*	10.9*	9.5*	9.5*	8.4*	8.4*	7.5*	7.5*	6.7*	6.7*					6.4*	6.4*	18.67	
-4.5	HR			8.6*	8.6*	11.2*	11.2*	14.7*	14.7*	12.5*	12.5*	10.8*	10.8*	9.4*	9.4*	8.3*	8.3*	7.3*	7.3*							6.5*	6.5*	17.91	
-6.0	HR					12.0*	12.0*	14.2*	14.2*	12.1*	12.1*	10.4*	10.4*	9.1*	9.1*	8.0*	8.0*	7.0*	7.0*							6.6*	6.6*	16.99	
-7.5	HR									9.8*	9.8*																8.7*	8.7*	13.30

## Industrial Stick 10.00 m (Variant 3C)

↑ m	Under-carriage	4.5 m		6.0 m		7.5 m		9.0 m		10.5 m		12.0 m		13.5 m		15.0 m		16.5 m		18.0 m		19.5 m		21.0 m		m		
25.5	HR																											
24.0	HR																											
22.5	HR																											
21.0	HR																											
19.5	HR															5.6*	5.6*									5.9*	5.9*	14.27
18.0	HR															5.5*	5.5*	5.3*	5.3*							5.5*	5.5*	15.80
16.5	HR															5.4*	5.4*	5.3*	5.3*	5.1*	5.1*					5.1*	5.1*	18.11
15.0	HR															5.5*	5.5*	5.3*	5.3*	5.1*	5.1*					5.0*	5.0*	18.98
13.5	HR															5.6*	5.6*	5.3*	5.3*	5.1*	5.1*					5.0*	5.0*	19.69
12.0	HR															5.7*	5.7*	5.4*	5.4*	5.2*	5.2*	5.0*	5.0*			4.9*	4.9*	20.26
10.5	HR													6.4*	6.4*	5.9*	5.9*	5.6*	5.6*	5.3*	5.3*	5.1*	5.1*			4.9*	4.9*	20.71
9.0	HR										7.3*	7.3*		6.7*	6.7*	6.2*	6.2*	5.8*	5.8*	5.4*	5.4*	5.2*	5.2*	5.0*	5.0*	5.0*	5.0*	21.04
7.5	HR							10.1*	10.1*	8.8*	8.8*	7.8*	7.8*	7.0*	7.0*	6.4*	6.4*	6.0*	6.0*	5.6*	5.6*	5.3*	5.3*	5.0*	5.0*	5.0*	5.0*	21.26
6.0	HR	9.2*	9.2*	17.5*	17.5*	13.5*	13.5*	11.1*	11.1*	9.5*	9.5*	8.3*	8.3*	7.4*	7.4*	6.7*	6.7*	6.2*	6.2*	5.8*	5.8*	5.4*	5.4*	5.1*	5.1*	5.1*	5.1*	21.36
4.5	HR	3.8*	3.8*	11.0*	11.0*	15.0*	15.0*	12.1*	12.1*	10.1*	10.1*	8.8*	8.8*	7.8*	7.8*	7.0*	7.0*	6.4*	6.4*	5.9*	5.9*	5.5*	5.5*	5.2*	5.2*	5.1*	5.1*	21.36
3.0	HR	3.3*	3.3*	7.2*	7.2*	15.6*	15.6*	12.9*	12.9*	10.8*	10.8*	9.3*	9.3*	8.2*	8.2*	7.3*	7.3*	6.6*	6.6*	6.1*	6.1*	5.7*	5.7*	5.3*	5.3*	5.2*	5.2*	21.25
1.5	HR	3.7*	3.7*	6.5*	6.5*	11.6*	11.6*	13.6*	13.6*	11.3*	11.3*	9.7*	9.7*	8.5*	8.5*	7.6*	7.6*	6.8*	6.8*	6.3*	6.3*	5.8*	5.8*	5.4*	5.4*	5.3*	5.3*	21.04
0	HR	4.3*	4.3*	6.5*	6.5*	10.4*	10.4*	14.2*	14.2*	11.8*	11.8*	10.1*	10.1*	8.8*	8.8*	7.8*	7.8*	7.0*	7.0*	6.4*	6.4*	5.9*	5.9*			5.5*	5.5*	20.71
-1.5	HR	5.1*	5.1*	6.9*	6.9*	10.1*	10.1*	14.5*	14.5*	12.1*	12.1*	10.3*	10.3*	9.0*	9.0*	8.0*	8.0*	7.1*	7.1*	6.5*	6.5*	5.9*	5.9*			5.6*	5.6*	20.26
-3.0	HR	5.8*	5.8*	7.5*	7.5*	10.3*	10.3*	14.6*	14.6*	12.2*	12.2*	10.5*	10.5*	9.1*	9.1*	8.1*	8.1*	7.2*	7.2*	6.5*	6.5*	5.8*	5.8*			5.7*	5.7*	19.68
-4.5	HR	6.5*	6.5*	8.1*	8.1*	10.7*	10.7*	14.5*	14.5*	12.2*	12.2*	10.5*	10.5*	9.1*	9.1*	8.0*	8.0*	7.2*	7.2*	6.4*	6.4*					5.9*	5.9*	18.97
-6.0	HR			8.7*	8.7*	11.3*	11.3*	14.2*	14.2*	12.0*	12.0*	10.3*	10.3*	9.0*	9.0*	7.9*	7.9*	7.0*	7.0*	6.1*	6.1*					6.0*	6.0*	18.10
-7.5	HR							13.5*	13.5*	11.5*	11.5*	9.9*	9.9*	8.6*	8.6*	7.5*	7.5*	6.5*	6.5*							6.3*	6.3*	16.77

Height Can be slewed through 360° In longitudinal position of undercarriage Max. reach \* Limited by hydr. capacity

The lift capacities are stated in metric tonnes (t) on the lifting gear's stick tip, and can be lifted 360° on firm, level supporting surface. Capacities are valid for 750 mm track flat pads. Indicated loads are based on ISO 10567 standard and do not exceed 75 % of tipping or 87 % of hydraulic capacity (indicated via \*). Lifting capacity of the excavator is limited by machine stability, hydraulic capacity and maximum permissible load of the load hook.

According to European Standard, EN 474-5: In the European Union excavators have to be equipped with an overload warning device, a load diagram and automatic check valves on the hoist cylinders, when they are used for lifting operations which require the use of lifting accessories.

# Lift Capacities

with Industrial-Type Gooseneck Boom 12.50 m

## Industrial Stick 9.00 m (Variant 3D)

m	Under-carriage	4.5 m		6.0 m		7.5 m		9.0 m		10.5 m		12.0 m		13.5 m		15.0 m		16.5 m		18.0 m		19.5 m		21.0 m		m				
																														m
25.5	HR																													
24.0	HR																													
22.5	HR																													
21.0	HR										8.5*	8.5*														8.3*	8.3*	10.64		
19.5	HR										8.9*	8.9*															7.6*	7.6*	12.82	
18.0	HR										8.0*	8.0*		7.5*	7.5*												7.1*	7.1*	14.52	
16.5	HR										7.9*	7.9*		7.4*	7.4*		7.0*	7.0*									6.8*	6.8*	15.88	
15.0	HR										7.9*	7.9*		7.3*	7.3*		6.9*	6.9*		6.6*	6.6*						6.5*	6.5*	17.00	
13.5	HR										8.0*	8.0*		7.4*	7.4*		6.9*	6.9*		6.5*	6.5*						6.3*	6.3*	17.92	
12.0	HR										8.9*	8.9*		8.1*	8.1*		7.5*	7.5*		7.0*	7.0*		6.2*	6.2*			6.1*	6.1*	18.68	
12.0	HR										9.3*	9.3*		8.4*	8.4*		7.7*	7.7*		7.1*	7.1*		6.7*	6.7*		6.3*	6.3*	6.0*	6.0*	19.28
10.5	HR										9.7*	9.7*		8.7*	8.7*		7.9*	7.9*		7.3*	7.3*		6.8*	6.8*		6.0*	6.0*	5.9*	5.9*	19.75
9.0	HR										11.0*	11.0*		10.2*	10.2*		9.1*	9.1*		8.2*	8.2*		7.5*	7.5*		6.4*	6.4*	6.0*	6.0*	20.10
7.5	HR										17.3*	17.3*		14.0*	14.0*		11.8*	11.8*		10.2*	10.2*		9.1*	9.1*		8.2*	8.2*	7.5*	7.5*	20.32
6.0	HR										19.5*	19.5*		15.3*	15.3*		12.6*	12.6*		10.8*	10.8*		9.5*	9.5*		8.5*	8.5*	7.7*	7.7*	20.43
4.5	HR										3.1*	3.1*		13.5*	13.5*		11.4*	11.4*		9.9*	9.9*		8.8*	8.8*		7.9*	7.9*	7.2*	7.2*	20.32
3.0	HR										1.9*	1.9*		7.0*	7.0*		17.6*	17.6*		14.2*	14.2*		11.9*	11.9*		10.3*	10.3*	9.1*	9.1*	20.43
1.5	HR										2.5*	2.5*		5.8*	5.8*		11.9*	11.9*		10.2*	10.2*		9.3*	9.3*		8.3*	8.3*	7.5*	7.5*	20.32
0	HR										3.4*	3.4*		5.9*	5.9*		10.2*	10.2*		9.3*	9.3*		8.3*	8.3*		7.5*	7.5*	6.8*	6.8*	20.09
-1.5	HR										4.4*	4.4*		6.4*	6.4*		9.8*	9.8*		8.7*	8.7*		7.9*	7.9*		7.3*	7.3*	6.8*	6.8*	20.09
-3.0	HR										7.1*	7.1*		10.0*	10.0*		15.2*	15.2*		12.8*	12.8*		11.0*	11.0*		9.6*	9.6*	8.5*	8.5*	19.75
-4.5	HR										10.5*	10.5*		14.8*	14.8*		12.6*	12.6*		10.8*	10.8*		9.5*	9.5*		8.3*	8.3*	7.4*	7.4*	18.67
-6.0	HR										14.1*	14.1*		12.1*	12.1*		10.5*	10.5*		9.1*	9.1*		8.0*	8.0*		7.0*	7.0*	6.8*	6.8*	16.85
-7.5	HR																													

## Industrial Stick 10.00 m (Variant 3D)

m	Under-carriage	4.5 m		6.0 m		7.5 m		9.0 m		10.5 m		12.0 m		13.5 m		15.0 m		16.5 m		18.0 m		19.5 m		21.0 m		m			
																													m
25.5	HR																												
24.0	HR																												
22.5	HR																												
21.0	HR																												
19.5	HR																												
18.0	HR																												
16.5	HR																												
15.0	HR																												
13.5	HR																												
12.0	HR																												
10.5	HR																												
9.0	HR																												
7.5	HR																												
6.0	HR																												
4.5	HR																												
3.0	HR																												
1.5	HR																												
0	HR																												
-1.5	HR																												
-3.0	HR																												
-4.5	HR																												
-6.0	HR																												
-7.5	HR																												

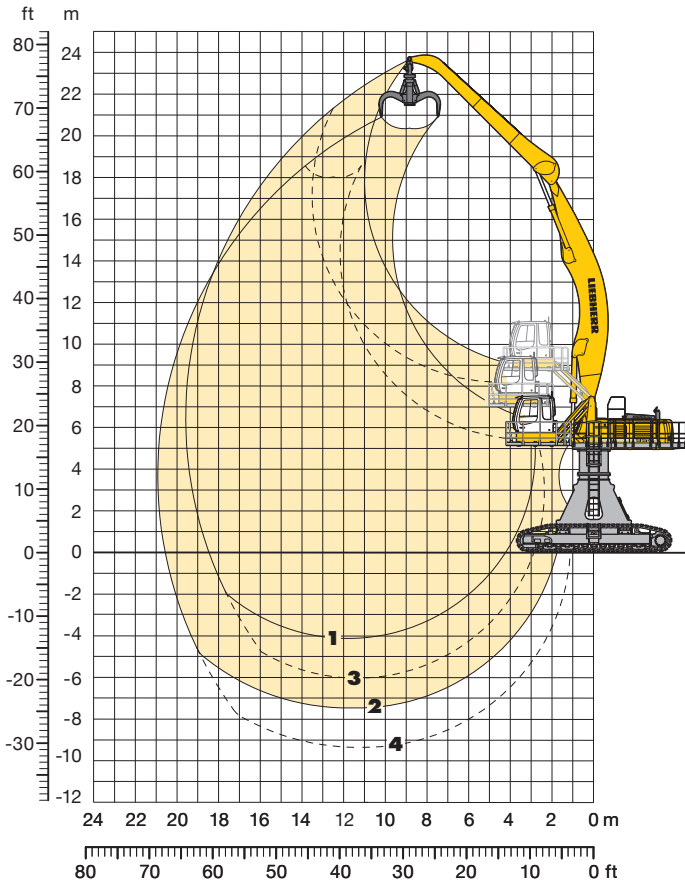
Height Can be slewed through 360° In longitudinal position of undercarriage Max. reach \* Limited by hydr. capacity

The lift capacities are stated in metric tonnes (t) on the lifting gear's stick tip, and can be lifted 360° on firm, level supporting surface. Capacities are valid for 750 mm track flat pads. Indicated loads are based on ISO 10567 standard and do not exceed 75 % of tipping or 87 % of hydraulic capacity (indicated via \*). Lifting capacity of the excavator is limited by machine stability, hydraulic capacity and maximum permissible load of the load hook.

According to European Standard, EN 474-5: In the European Union excavators have to be equipped with an overload warning device, a load diagram and automatic check valves on the hoist cylinders, when they are used for lifting operations which require the use of lifting accessories.

# Industrial Attachment

with Industrial-Type Gooseneck Boom 11.50 m with Tower Elevation 1.20 m



## Attachment Envelope

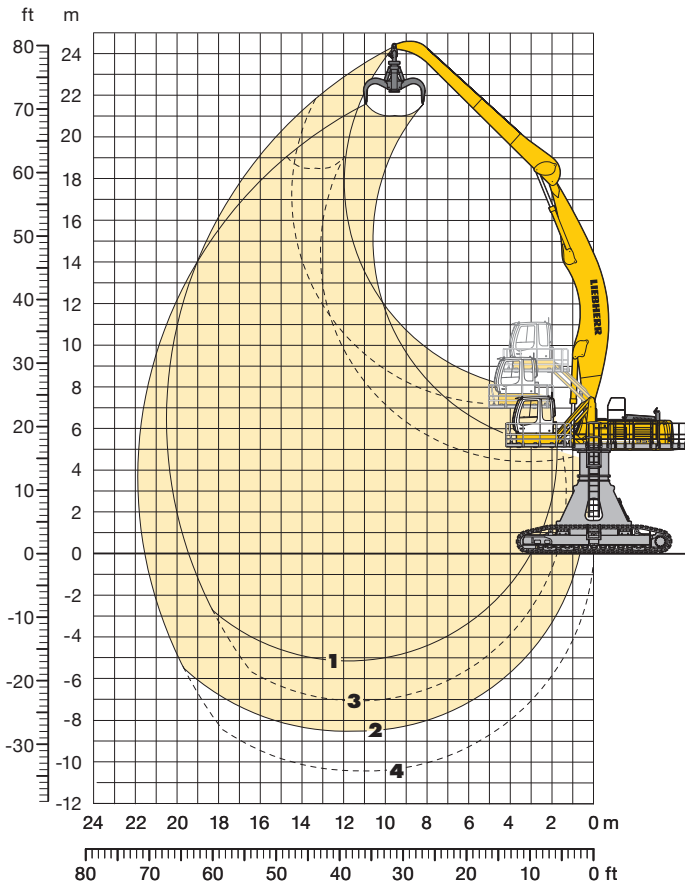
Kinematic variants 3C/3D

- 1 with industrial stick 9.00 m (3D)
- 2 with industrial stick 9.00 m and grapple model 72 C (3D)
- 3 with industrial stick 9.00 m (3C)
- 4 with industrial stick 9.00 m and grapple model 72 C (3C)

## Operating Weight and Ground Pressure

Operating weight includes basic machine with tower elevation 1.20 m, hydraulic cab elevation parallelogram + intermediate piece 0.5 m, counterweight 14.5 t, industrial-type gooseneck boom 11.50 m, industrial stick 9.00 m and grapple model 72 C with 5 semi-closed tines 1.20 m<sup>3</sup>.

Undercarriage		HR
Pad width	mm	750
Weight	kg	99,700
Ground pressure	kg/cm <sup>2</sup>	1.04



## Attachment Envelope

Kinematic variants 3C/3D

- 1 with industrial stick 10.00 m (3D)
- 2 with industrial stick 10.00 m and grapple model 72 C (3D)
- 3 with industrial stick 10.00 m (3C)
- 4 with industrial stick 10.00 m and grapple model 72 C (3C)

## Operating Weight and Ground Pressure

Operating weight includes basic machine with tower elevation 1.20 m, hydraulic cab elevation parallelogram + intermediate piece 0.5 m, counterweight 14.5 t, industrial-type gooseneck boom 11.50 m, industrial stick 10.00 m and grapple model 72 C with 5 semi-closed tines 1.20 m<sup>3</sup>.

Undercarriage		HR
Pad width	mm	750
Weight	kg	100,100
Ground pressure	kg/cm <sup>2</sup>	1.04



# Lift Capacities

with Industrial-Type Gooseneck Boom 11.50 m with Tower Elevation 1.20 m

## Industrial Stick 9.00 m (Variant 3C)

m	Under-carriage	4.5 m		6.0 m		7.5 m		9.0 m		10.5 m		12.0 m		13.5 m		15.0 m		16.5 m		18.0 m		19.5 m		21.0 m		m			
25.5	HR																												
24.0	HR																												
22.5	HR																												
21.0	HR																									7.2*	7.2*	12.79	
19.5	HR												6.8*	6.8*												6.7*	6.7*	14.36	
18.0	HR												6.6*	6.6*	6.5*	6.5*										6.5*	6.5*	15.62	
16.5	HR												6.6*	6.6*	6.4*	6.4*	6.3*	6.3*								6.3*	6.3*	16.65	
15.0	HR												6.7*	6.7*	6.5*	6.5*	6.3*	6.3*								6.3*	6.3*	17.48	
13.5	HR												6.9*	6.9*	6.6*	6.6*	6.4*	6.4*	6.2*	6.2*						6.2*	6.2*	18.15	
12.0	HR											7.6*	7.6*	7.1*	7.1*	6.8*	6.8*	6.5*	6.5*	6.3*	6.3*					6.2*	6.2*	18.68	
10.5	HR											8.1*	8.1*	7.5*	7.5*	7.0*	7.0*	6.7*	6.7*	6.4*	6.4*					6.4*	6.4*	19.07	
9.0	HR							10.8*	10.8*	9.5*	9.5*	8.6*	8.6*	7.9*	7.9*	7.3*	7.3*	6.9*	6.9*	6.5*	6.5*					6.3*	6.3*	19.33	
7.5	HR	17.8*	17.8*	18.4*	18.4*	14.4*	14.4*	12.0*	12.0*	10.4*	10.4*	9.2*	9.2*	8.3*	8.3*	7.6*	7.6*	7.1*	7.1*	6.7*	6.7*					6.4*	6.4*	19.47	
6.0	HR	5.5*	5.5*	17.1*	17.1*	16.1*	16.1*	13.1*	13.1*	11.2*	11.2*	9.8*	9.8*	8.8*	8.8*	8.0*	8.0*	7.4*	7.4*	6.9*	6.9*					6.5*	6.5*	19.49	
4.5	HR	4.4*	4.4*	9.9*	9.9*	17.6*	17.6*	14.2*	14.2*	11.9*	11.9*	10.3*	10.3*	9.2*	9.2*	8.3*	8.3*	7.6*	7.6*	7.1*	7.1*					6.6*	6.6*	19.40	
3.0	HR	4.7*	4.7*	8.5*	8.5*	16.0*	16.0*	15.0*	15.0*	12.6*	12.6*	10.9*	10.9*	9.6*	9.6*	8.6*	8.6*	7.8*	7.8*	7.2*	7.2*					6.8*	6.8*	19.18	
1.5	HR	5.5*	5.5*	8.4*	8.4*	13.8*	13.8*	15.7*	15.7*	13.1*	13.1*	11.3*	11.3*	9.9*	9.9*	8.8*	8.8*	8.0*	8.0*	7.3*	7.3*					6.9*	6.9*	18.84	
0	HR	6.3*	6.3*	8.8*	8.8*	13.1*	13.1*	16.1*	16.1*	13.4*	13.4*	11.5*	11.5*	10.1*	10.1*	9.0*	9.0*	8.1*	8.1*	7.3*	7.3*					7.1*	7.1*	18.37	
-1.5	HR	7.2*	7.2*	9.4*	9.4*	13.3*	13.3*	16.2*	16.2*	13.6*	13.6*	11.7*	11.7*	10.2*	10.2*	9.0*	9.0*	8.1*	8.1*							7.3*	7.3*	17.76	
-3.0	HR			10.1*	10.1*	13.8*	13.8*	16.0*	16.0*	13.5*	13.5*	11.6*	11.6*	10.1*	10.1*	8.9*	8.9*	7.9*	7.9*							7.5*	7.5*	16.99	
-4.5	HR					14.6*	14.6*	15.5*	15.5*	13.1*	13.1*	11.3*	11.3*	9.8*	9.8*	8.5*	8.5*									7.7*	7.7*	16.04	
-6.0	HR							12.4*	12.4*	10.6*	10.6*															10.3*	10.3*	12.30	
-7.5	HR																												

## Industrial Stick 10.00 m (Variant 3C)

m	Under-carriage	4.5 m		6.0 m		7.5 m		9.0 m		10.5 m		12.0 m		13.5 m		15.0 m		16.5 m		18.0 m		19.5 m		21.0 m		m			
25.5	HR																												
24.0	HR																												
22.5	HR																												
21.0	HR																									6.3*	6.3*	14.18	
19.5	HR															6.0*	6.0*									6.0*	6.0*	15.61	
18.0	HR														5.8*	5.8*	5.8*	5.8*								5.8*	5.8*	16.78	
16.5	HR														5.8*	5.8*	5.7*	5.7*								5.7*	5.7*	17.73	
15.0	HR														5.9*	5.9*	5.7*	5.7*	5.6*	5.6*						5.6*	5.6*	18.52	
13.5	HR														6.0*	6.0*	5.8*	5.8*	5.7*	5.7*						5.6*	5.6*	19.15	
12.0	HR														6.5*	6.5*	6.2*	6.2*	5.9*	5.9*	5.7*	5.7*	5.6*	5.6*		5.6*	5.6*	19.65	
10.5	HR											7.3*	7.3*	6.8*	6.8*	6.4*	6.4*	6.1*	6.1*	5.9*	5.9*	5.7*	5.7*		5.6*	5.6*	20.02		
9.0	HR									8.7*	8.7*	7.9*	7.9*	7.2*	7.2*	6.7*	6.7*	6.3*	6.3*	6.0*	6.0*	5.8*	5.8*		5.7*	5.7*	20.27		
7.5	HR					12.9*	12.9*	10.9*	10.9*	9.5*	9.5*	8.5*	8.5*	7.7*	7.7*	7.1*	7.1*	6.6*	6.6*	6.2*	6.2*	5.9*	5.9*		5.8*	5.8*	20.40		
6.0	HR	11.0*	11.0*	19.0*	19.0*	14.7*	14.7*	12.0*	12.0*	10.3*	10.3*	9.1*	9.1*	8.1*	8.1*	7.4*	7.4*	6.9*	6.9*	6.4*	6.4*	6.1*	6.1*		5.9*	5.9*	20.43		
4.5	HR	5.8*	5.8*	14.1*	14.1*	16.3*	16.3*	13.2*	13.2*	11.1*	11.1*	9.6*	9.6*	8.6*	8.6*	7.8*	7.8*	7.1*	7.1*	6.6*	6.6*	6.2*	6.2*		6.0*	6.0*	20.33		
3.0	HR	5.2*	5.2*	9.9*	9.9*	17.6*	17.6*	14.1*	14.1*	11.8*	11.8*	10.2*	10.2*	9.0*	9.0*	8.1*	8.1*	7.4*	7.4*	6.8*	6.8*	6.3*	6.3*		6.1*	6.1*	20.13		
1.5	HR	5.5*	5.5*	8.8*	8.8*	15.4*	15.4*	14.9*	14.9*	12.4*	12.4*	10.7*	10.7*	9.4*	9.4*	8.4*	8.4*	7.6*	7.6*	6.9*	6.9*	6.4*	6.4*		6.3*	6.3*	19.81		
0	HR	6.1*	6.1*	8.8*	8.8*	13.7*	13.7*	15.4*	15.4*	12.9*	12.9*	11.0*	11.0*	9.6*	9.6*	8.6*	8.6*	7.7*	7.7*	7.0*	7.0*				6.4*	6.4*	19.36		
-1.5	HR	6.7*	6.7*	9.1*	9.1*	13.2*	13.2*	15.7*	15.7*	13.1*	13.1*	11.3*	11.3*	9.8*	9.8*	8.7*	8.7*	7.8*	7.8*	7.0*	7.0*				6.6*	6.6*	18.78		
-3.0	HR	7.4*	7.4*	9.6*	9.6*	13.3*	13.3*	15.7*	15.7*	13.2*	13.2*	11.3*	11.3*	9.9*	9.9*	8.7*	8.7*	7.7*	7.7*	6.9*	6.9*				6.8*	6.8*	18.06		
-4.5	HR			10.2*	10.2*	13.8*	13.8*	15.4*	15.4*	13.0*	13.0*	11.2*	11.2*	9.7*	9.7*	8.5*	8.5*	7.5*	7.5*						7.0*	7.0*	17.17		
-6.0	HR					14.7*	14.7*	14.8*	14.8*	12.5*	12.5*	10.8*	10.8*	9.3*	9.3*	8.1*	8.1*									7.4*	7.4*	15.80	
-7.5	HR																												

Height Can be slewed through 360° In longitudinal position of undercarriage Max. reach \* Limited by hydr. capacity

The lift capacities are stated in metric tonnes (t) on the lifting gear's stick tip, and can be lifted 360° on firm, level supporting surface. Capacities are valid for 750 mm track flat pads. Indicated loads are based on ISO 10567 standard and do not exceed 75 % of tipping or 87 % of hydraulic capacity (indicated via \*). Lifting capacity of the excavator is limited by machine stability, hydraulic capacity and maximum permissible load of the load hook.

According to European Standard, EN 474-5: In the European Union excavators have to be equipped with an overload warning device, a load diagram and automatic check valves on the hoist cylinders, when they are used for lifting operations which require the use of lifting accessories.



# Lift Capacities

with Industrial-Type Gooseneck Boom 11.50 m with Tower Elevation 1.20 m

## Industrial Stick 9.00 m (Variant 3D)

↑ m	Under-carriage	4.5 m		6.0 m		7.5 m		9.0 m		10.5 m		12.0 m		13.5 m		15.0 m		16.5 m		18.0 m		19.5 m		21.0 m		m	
25.5	HR																										
24.0	HR																										
22.5	HR																										
21.0	HR																										
19.5	HR																										
18.0	HR																										
16.5	HR																										
15.0	HR																										
13.5	HR																										
12.0	HR																										
10.5	HR																										
9.0	HR	24.0*	24.0*	18.1*	18.1*	14.7*	14.7*	12.5*	12.5*	10.9*	10.9*	9.7*	9.7*	8.8*	8.8*	8.1*	8.1*	7.5*	7.5*	7.0*	7.0*	6.8*	6.8*	6.7*	6.7*	6.7*	6.7*
7.5	HR	17.8*	17.8*	20.8*	20.8*	16.3*	16.3*	13.5*	13.5*	11.6*	11.6*	10.2*	10.2*	9.2*	9.2*	8.3*	8.3*	7.7*	7.7*	7.0*	7.0*	7.2*	7.2*	6.7*	6.7*	6.7*	6.7*
6.0	HR	5.5*	5.5*	17.1*	17.1*	17.7*	17.7*	14.4*	14.4*	12.3*	12.3*	10.7*	10.7*	9.5*	9.5*	8.6*	8.6*	7.9*	7.9*	7.3*	7.3*	7.4*	7.4*	6.7*	6.7*	6.7*	6.7*
4.5	HR	4.4*	4.4*	9.9*	9.9*	18.9*	18.9*	15.3*	15.3*	12.9*	12.9*	11.1*	11.1*	9.8*	9.8*	8.8*	8.8*	8.0*	8.0*	7.4*	7.4*	7.4*	7.4*	6.8*	6.8*	6.8*	6.8*
3.0	HR	4.7*	4.7*	8.5*	8.5*	16.0*	16.0*	15.9*	15.9*	13.3*	13.3*	11.5*	11.5*	10.1*	10.1*	9.0*	9.0*	8.1*	8.1*	7.4*	7.4*	7.4*	7.4*	6.9*	6.9*	6.9*	6.9*
1.5	HR	5.5*	5.5*	8.4*	8.4*	13.8*	13.8*	16.3*	16.3*	13.6*	13.6*	11.7*	11.7*	10.3*	10.3*	9.1*	9.1*	8.2*	8.2*	7.4*	7.4*	7.2*	7.2*	6.9*	6.9*	6.9*	6.9*
0	HR	6.3*	6.3*	8.8*	8.8*	13.1*	13.1*	16.3*	16.3*	13.7*	13.7*	11.8*	11.8*	10.3*	10.3*	9.1*	9.1*	8.1*	8.1*	7.2*	7.2*	7.2*	7.2*	7.0*	7.0*	7.0*	7.0*
-1.5	HR			9.4*	9.4*	13.3*	13.3*	16.1*	16.1*	13.6*	13.6*	11.7*	11.7*	10.2*	10.2*	9.0*	9.0*	7.9*	7.9*					7.1*	7.1*	7.1*	7.1*
-3.0	HR					13.8*	13.8*	15.5*	15.5*	13.2*	13.2*	11.4*	11.4*	9.9*	9.9*	8.6*	8.6*							7.7*	7.7*	7.7*	7.7*
-4.5	HR																										
-6.0	HR																										
-7.5	HR																										

## Industrial Stick 10.00 m (Variant 3D)

↑ m	Under-carriage	4.5 m		6.0 m		7.5 m		9.0 m		10.5 m		12.0 m		13.5 m		15.0 m		16.5 m		18.0 m		19.5 m		21.0 m		m	
25.5	HR																										
24.0	HR																										
22.5	HR																										
21.0	HR																										
19.5	HR																										
18.0	HR																										
16.5	HR																										
15.0	HR																										
13.5	HR																										
12.0	HR																										
10.5	HR																										
9.0	HR																										
7.5	HR	25.4*	25.4*	18.6*	18.6*	14.9*	14.9*	12.5*	12.5*	10.8*	10.8*	9.5*	9.5*	8.6*	8.6*	7.8*	7.8*	7.2*	7.2*	6.6*	6.6*	6.2*	6.2*	5.9*	5.9*	5.9*	5.9*
6.0	HR	11.0*	11.0*	21.2*	21.2*	16.4*	16.4*	13.5*	13.5*	11.5*	11.5*	10.0*	10.0*	9.0*	9.0*	8.1*	8.1*	7.4*	7.4*	6.9*	6.9*	6.4*	6.4*	6.1*	6.1*	6.1*	6.1*
4.5	HR	5.8*	5.8*	14.1*	14.1*	17.7*	17.7*	14.4*	14.4*	12.1*	12.1*	10.5*	10.5*	9.3*	9.3*	8.4*	8.4*	7.6*	7.6*	7.0*	7.0*	6.5*	6.5*	6.2*	6.2*	6.2*	6.2*
3.0	HR	5.2*	5.2*	9.9*	9.9*	18.7*	18.7*	15.1*	15.1*	12.7*	12.7*	10.9*	10.9*	9.6*	9.6*	8.6*	8.6*	7.8*	7.8*	7.1*	7.1*	6.5*	6.5*	6.2*	6.2*	6.2*	6.2*
1.5	HR	5.5*	5.5*	8.8*	8.8*	15.4*	15.4*	15.6*	15.6*	13.1*	13.1*	11.2*	11.2*	9.8*	9.8*	8.8*	8.8*	7.9*	7.9*	7.1*	7.1*	6.4*	6.4*	6.3*	6.3*	6.3*	6.3*
0	HR	6.1*	6.1*	8.8*	8.8*	13.7*	13.7*	15.9*	15.9*	13.3*	13.3*	11.4*	11.4*	10.0*	10.0*	8.8*	8.8*	7.9*	7.9*	7.1*	7.1*	6.4*	6.4*	6.4*	6.4*	6.4*	6.4*
-1.5	HR	6.7*	6.7*	9.1*	9.1*	13.2*	13.2*	15.9*	15.9*	13.3*	13.3*	11.4*	11.4*	10.0*	10.0*	8.8*	8.8*	7.8*	7.8*	6.9*	6.9*			6.4*	6.4*	6.4*	6.4*
-3.0	HR			9.6*	9.6*	13.3*	13.3*	15.5*	15.5*	13.1*	13.1*	11.3*	11.3*	9.8*	9.8*	8.6*	8.6*	7.6*	7.6*					6.6*	6.6*	6.6*	6.6*
-4.5	HR							14.9*	14.9*	12.6*	12.6*	10.8*	10.8*	9.4*	9.4*	8.2*	8.2*							7.9*	7.9*	7.9*	7.9*
-6.0	HR																										
-7.5	HR																										

Height Can be slewed through 360° In longitudinal position of undercarriage Max. reach \* Limited by hydr. capacity

The lift capacities are stated in metric tonnes (t) on the lifting gear's stick tip, and can be lifted 360° on firm, level supporting surface. Capacities are valid for 750 mm track flat pads. Indicated loads are based on ISO 10567 standard and do not exceed 75 % of tipping or 87 % of hydraulic capacity (indicated via \*). Lifting capacity of the excavator is limited by machine stability, hydraulic capacity and maximum permissible load of the load hook.

According to European Standard, EN 474-5: In the European Union excavators have to be equipped with an overload warning device, a load diagram and automatic check valves on the hoist cylinders, when they are used for lifting operations which require the use of lifting accessories.

# Industrial Attachment

with Industrial-Type Gooseneck Boom 12.50 m with Tower Elevation 1.20 m

## Attachment Envelope

Kinematic variants 3C/3D

- 1** with industrial stick 9.00 m (3D)
- 2** with industrial stick 9.00 m and grapple model 72 C (3D)
- 3** with industrial stick 9.00 m (3C)
- 4** with industrial stick 9.00 m and grapple model 72 C (3C)

## Operating Weight and Ground Pressure

Operating weight includes basic machine with tower elevation 1.20 m, hydraulic cab elevation parallelogram + intermediate piece 0.5 m, counterweight 14.5 t, industrial-type gooseneck boom 12.50 m, industrial stick 9.00 m and grapple model 72 C with 5 semi-closed tines 1.20 m<sup>3</sup>.

Undercarriage	HR	
Pad width	mm	750
Weight	kg	100,200
Ground pressure	kg/cm <sup>2</sup>	1.04

## Attachment Envelope

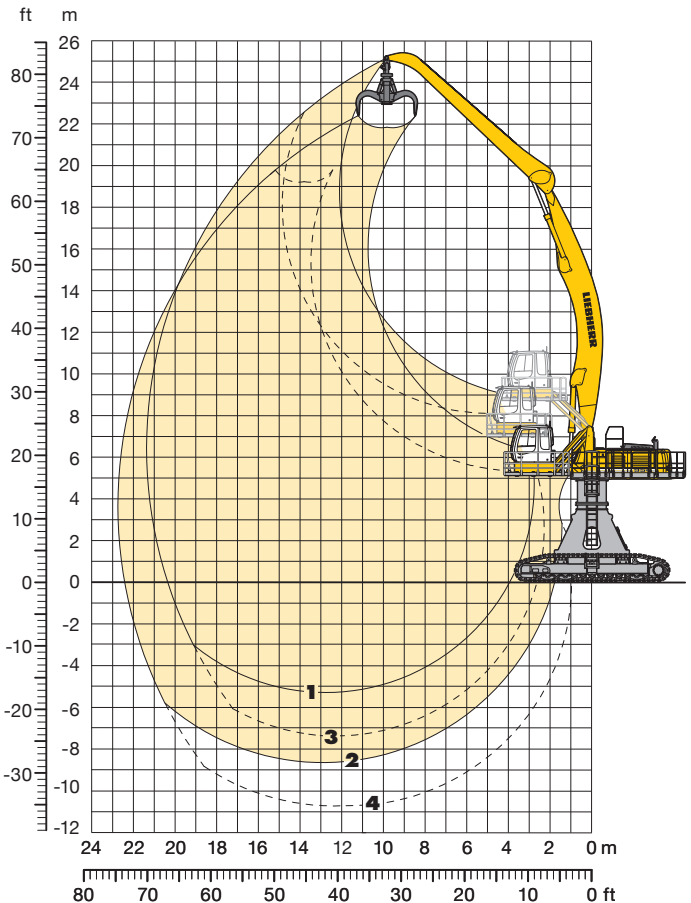
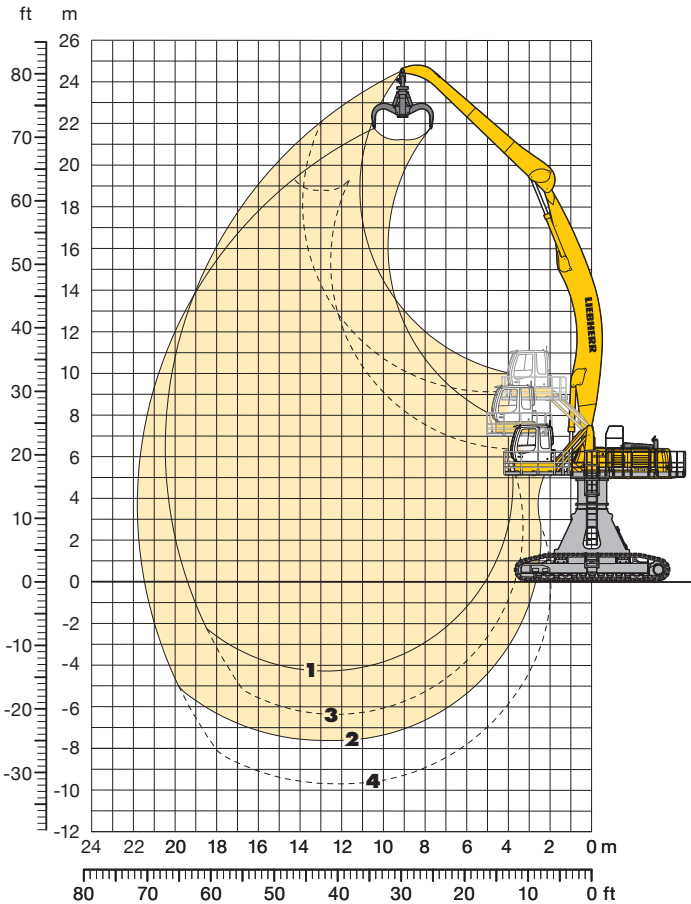
Kinematic variants 3C/3D

- 1** with industrial stick 10.00 m (3D)
- 2** with industrial stick 10.00 m and grapple model 72 C (3D)
- 3** with industrial stick 10.00 m (3C)
- 4** with industrial stick 10.00 m and grapple model 72 C (3C)

## Operating Weight and Ground Pressure

Operating weight includes basic machine with tower elevation 1.20 m, hydraulic cab elevation parallelogram + intermediate piece 0.5 m, counterweight 14.5 t, industrial-type gooseneck boom 12.50 m, industrial stick 10.00 m and grapple model 72 C with 5 semi-closed tines 1.20 m<sup>3</sup>.

Undercarriage	HR	
Pad width	mm	750
Weight	kg	100,600
Ground pressure	kg/cm <sup>2</sup>	1.05



# Lift Capacities

with Industrial-Type Gooseneck Boom 12.50 m with Tower Elevation 1.20 m

## Industrial Stick 9.00 m (Variant 3C)

↑ m	Under-carriage	4.5 m		6.0 m		7.5 m		9.0 m		10.5 m		12.0 m		13.5 m		15.0 m		16.5 m		18.0 m		19.5 m		21.0 m		m			
25.5	HR																												
24.0	HR																												
22.5	HR																												
21.0	HR														6.4*	6.4*											6.4*	6.4*	14.21
19.5	HR																6.1*	6.1*									6.0*	6.0*	15.63
18.0	HR																6.0*	6.0*	5.8*	5.8*							5.8*	5.8*	16.80
16.5	HR																6.0*	6.0*	5.8*	5.8*							5.6*	5.6*	17.75
15.0	HR														6.4*	6.4*	6.1*	6.1*	5.8*	5.8*							5.6*	5.6*	18.54
13.5	HR														6.6*	6.6*	6.2*	6.2*	5.9*	5.9*	5.6*	5.6*					5.5*	5.5*	19.17
12.0	HR														6.9*	6.9*	6.4*	6.4*	6.0*	6.0*	5.7*	5.7*	5.5*	5.5*			5.5*	5.5*	19.67
10.5	HR														7.2*	7.2*	6.6*	6.6*	6.2*	6.2*	5.9*	5.9*	5.6*	5.6*			5.5*	5.5*	20.04
9.0	HR	23.0*	23.0*	16.6*	16.6*	13.1*	13.1*	10.9*	10.9*	9.4*	9.4*	8.3*	8.3*	7.5*	7.5*	6.9*	6.9*	6.4*	6.4*	6.0*	6.0*	5.7*	5.7*			5.6*	5.6*	20.29	
7.5	HR	3.9*	3.9*	17.3*	17.3*	14.6*	14.6*	11.9*	11.9*	10.1*	10.1*	8.8*	8.8*	7.9*	7.9*	7.2*	7.2*	6.6*	6.6*	6.2*	6.2*	5.9*	5.9*			5.6*	5.6*	20.42	
6.0	HR	2.0*	2.0*	7.6*	7.6*	16.0*	16.0*	12.9*	12.9*	10.8*	10.8*	9.4*	9.4*	8.3*	8.3*	7.5*	7.5*	6.8*	6.8*	6.3*	6.3*	5.9*	5.9*			5.7*	5.7*	20.44	
4.5	HR	2.3*	2.3*	5.9*	5.9*	12.5*	12.5*	13.7*	13.7*	11.4*	11.4*	9.8*	9.8*	8.6*	8.6*	7.8*	7.8*	7.1*	7.1*	6.5*	6.5*	6.0*	6.0*			5.8*	5.8*	20.35	
3.0	HR	3.2*	3.2*	5.8*	5.8*	10.4*	10.4*	14.4*	14.4*	11.9*	11.9*	10.2*	10.2*	9.0*	9.0*	8.0*	8.0*	7.2*	7.2*	6.6*	6.6*	6.1*	6.1*			5.9*	5.9*	20.15	
1.5	HR	4.2*	4.2*	6.3*	6.3*	9.8*	9.8*	14.8*	14.8*	12.3*	12.3*	10.6*	10.6*	9.2*	9.2*	8.2*	8.2*	7.4*	7.4*	6.7*	6.7*	6.2*	6.2*			6.0*	6.0*	19.83	
0	HR	5.2*	5.2*	7.0*	7.0*	10.0*	10.0*	15.1*	15.1*	12.6*	12.6*	10.8*	10.8*	9.4*	9.4*	8.3*	8.3*	7.5*	7.5*	6.8*	6.8*	6.2*	6.2*			6.2*	6.2*	19.38	
-1.5	HR	6.1*	6.1*	7.7*	7.7*	10.4*	10.4*	15.1*	15.1*	12.7*	12.7*	10.9*	10.9*	9.5*	9.5*	8.4*	8.4*	7.5*	7.5*	6.7*	6.7*	6.2*	6.2*			6.3*	6.3*	18.80	
-3.0	HR			8.5*	8.5*	11.1*	11.1*	14.8*	14.8*	12.5*	12.5*	10.8*	10.8*	9.4*	9.4*	8.3*	8.3*	7.4*	7.4*	6.5*	6.5*	6.2*	6.2*			6.5*	6.5*	18.08	
-4.5	HR					11.8*	11.8*	14.3*	14.3*	12.2*	12.2*	10.5*	10.5*	9.2*	9.2*	8.1*	8.1*	7.1*	7.1*	6.5*	6.5*	6.2*	6.2*			6.6*	6.6*	17.19	
-6.0	HR							11.5*	11.5*	10.0*	10.0*	8.7*	8.7*	8.7*	8.7*	8.1*	8.1*	7.1*	7.1*	6.5*	6.5*	6.2*	6.2*			7.7*	7.7*	14.80	
-7.5	HR																												

## Industrial Stick 10.00 m (Variant 3C)

↑ m	Under-carriage	4.5 m		6.0 m		7.5 m		9.0 m		10.5 m		12.0 m		13.5 m		15.0 m		16.5 m		18.0 m		19.5 m		21.0 m		m			
25.5	HR																												
24.0	HR																												
22.5	HR																												
21.0	HR																												
19.5	HR																												
18.0	HR																												
16.5	HR																												
15.0	HR																												
13.5	HR																												
12.0	HR																												
10.5	HR																												
9.0	HR																												
7.5	HR	13.4*	13.4*	17.0*	17.0*	13.2*	13.2*	10.9*	10.9*	9.3*	9.3*	8.2*	8.2*	7.3*	7.3*	6.7*	6.7*	6.1*	6.1*	5.7*	5.7*	5.4*	5.4*			5.0*	5.0*	21.22	
6.0	HR	4.1*	4.1*	12.8*	12.8*	14.7*	14.7*	11.9*	11.9*	10.0*	10.0*	8.7*	8.7*	7.7*	7.7*	7.0*	7.0*	6.4*	6.4*	5.9*	5.9*	5.5*	5.5*			5.3*	5.3*	21.28	
4.5	HR	3.2*	3.2*	7.6*	7.6*	16.0*	16.0*	12.8*	12.8*	10.7*	10.7*	9.2*	9.2*	8.1*	8.1*	7.3*	7.3*	6.6*	6.6*	6.1*	6.1*	5.6*	5.6*			5.3*	5.3*	21.09	
3.0	HR	3.6*	3.6*	6.5*	6.5*	12.1*	12.1*	13.5*	13.5*	11.2*	11.2*	9.6*	9.6*	8.4*	8.4*	7.5*	7.5*	6.8*	6.8*	6.2*	6.2*	5.8*	5.8*			5.3*	5.3*	20.78	
1.5	HR	4.2*	4.2*	6.5*	6.5*	10.5*	10.5*	14.1*	14.1*	11.7*	11.7*	10.0*	10.0*	8.7*	8.7*	7.8*	7.8*	7.0*	7.0*	6.4*	6.4*	5.8*	5.8*			5.4*	5.4*	20.36	
0	HR	4.9*	4.9*	6.8*	6.8*	10.1*	10.1*	14.4*	14.4*	12.0*	12.0*	10.3*	10.3*	9.0*	9.0*	7.9*	7.9*	7.1*	7.1*	6.5*	6.5*	5.9*	5.9*			5.6*	5.6*	19.81	
-1.5	HR	5.7*	5.7*	7.4*	7.4*	10.2*	10.2*	14.6*	14.6*	12.2*	12.2*	10.5*	10.5*	9.1*	9.1*	8.0*	8.0*	7.2*	7.2*	6.5*	6.5*	5.8*	5.8*			5.7*	5.7*	19.12	
-3.0	HR	6.4*	6.4*	8.0*	8.0*	10.6*	10.6*	14.6*	14.6*	12.2*	12.2*	10.5*	10.5*	9.1*	9.1*	8.1*	8.1*	7.2*	7.2*	6.4*	6.4*	6.2*	6.2*			6.0*	6.0*	18.29	
-4.5	HR			8.6*	8.6*	11.1*	11.1*	14.3*	14.3*	12.0*	12.0*	10.4*	10.4*	9.0*	9.0*	7.9*	7.9*	7.0*	7.0*	6.2*	6.2*	6.2*	6.2*			6.0*	6.0*	17.28	
-6.0	HR					11.8*	11.8*	13.7*	13.7*	11.6*	11.6*	10.0*	10.0*	8.7*	8.7*	7.6*	7.6*	6.6*	6.6*	6.6*	6.6*	6.2*	6.2*			6.1*	6.1*	17.28	
-7.5	HR																												

Height Can be slewed through 360° In longitudinal position of undercarriage Max. reach \* Limited by hydr. capacity

The lift capacities are stated in metric tonnes (t) on the lifting gear's stick tip, and can be lifted 360° on firm, level supporting surface. Capacities are valid for 750 mm track flat pads. Indicated loads are based on ISO 10567 standard and do not exceed 75 % of tipping or 87 % of hydraulic capacity (indicated via \*). Lifting capacity of the excavator is limited by machine stability, hydraulic capacity and maximum permissible load of the load hook.

According to European Standard, EN 474-5: In the European Union excavators have to be equipped with an overload warning device, a load diagram and automatic check valves on the hoist cylinders, when they are used for lifting operations which require the use of lifting accessories.

# Lift Capacities

with Industrial-Type Gooseneck Boom 12.50 m with Tower Elevation 1.20 m

## Industrial Stick 9.00 m (Variant 3D)

m	Under-carriage	4.5 m		6.0 m		7.5 m		9.0 m		10.5 m		12.0 m		13.5 m		15.0 m		16.5 m		18.0 m		19.5 m		21.0 m		m	
25.5	HR																										
24.0	HR																										
22.5	HR																										
21.0	HR																										8.5* 8.5* 10.12
19.5	HR																										7.7* 7.7* 12.43
18.0	HR																										7.2* 7.2* 14.21
16.5	HR																										6.9* 6.9* 15.63
15.0	HR																										6.5* 6.5* 16.80
13.5	HR																										6.3* 6.3* 17.75
12.0	HR																										6.1* 6.1* 18.54
10.5	HR																										6.0* 6.0* 19.17
9.0	HR																										6.0* 6.0* 19.67
7.5	HR																										6.0* 6.0* 19.67
6.0	HR																										6.0* 6.0* 19.67
4.5	HR																										6.0* 6.0* 19.67
3.0	HR																										6.0* 6.0* 19.67
1.5	HR																										6.0* 6.0* 19.67
0	HR																										6.0* 6.0* 19.67
-1.5	HR																										6.0* 6.0* 19.67
-3.0	HR																										6.0* 6.0* 19.67
-4.5	HR																										6.0* 6.0* 19.67
-6.0	HR																										6.0* 6.0* 19.67
-7.5	HR																										6.0* 6.0* 19.67

## Industrial Stick 10.00 m (Variant 3D)

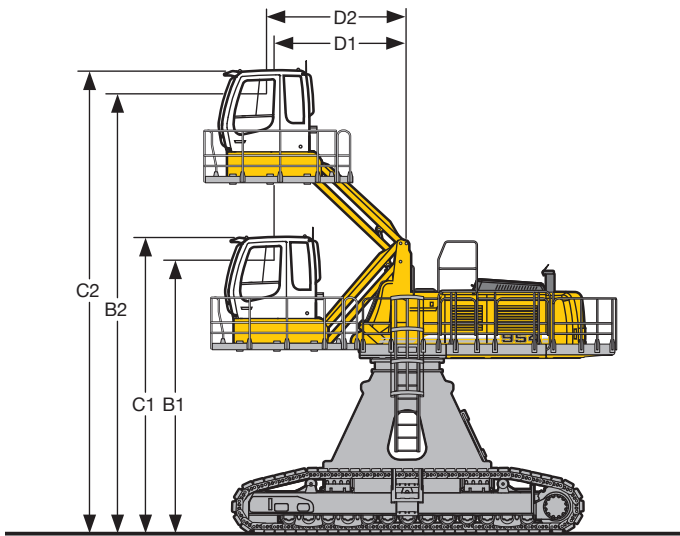
m	Under-carriage	4.5 m		6.0 m		7.5 m		9.0 m		10.5 m		12.0 m		13.5 m		15.0 m		16.5 m		18.0 m		19.5 m		21.0 m		m	
25.5	HR																										
24.0	HR																										
22.5	HR																										
21.0	HR																										7.1* 7.1* 11.91
19.5	HR																										6.5* 6.5* 13.92
18.0	HR																										6.2* 6.2* 15.52
16.5	HR																										5.9* 5.9* 16.83
15.0	HR																										5.8* 5.8* 17.92
13.5	HR																										5.7* 5.7* 18.82
12.0	HR																										5.5* 5.5* 19.56
10.5	HR																										5.5* 5.5* 19.56
9.0	HR																										5.4* 5.4* 20.16
7.5	HR																										5.4* 5.4* 20.16
6.0	HR																										5.4* 5.4* 20.16
4.5	HR																										5.4* 5.4* 20.16
3.0	HR																										5.4* 5.4* 20.16
1.5	HR																										5.5* 5.5* 20.78
0	HR																										5.5* 5.5* 20.78
-1.5	HR																										5.5* 5.5* 20.78
-3.0	HR																										5.5* 5.5* 20.78
-4.5	HR																										5.5* 5.5* 20.78
-6.0	HR																										5.5* 5.5* 20.78
-7.5	HR																										5.5* 5.5* 20.78

Height Can be slewed through 360° In longitudinal position of undercarriage Max. reach \* Limited by hydr. capacity

The lift capacities are stated in metric tonnes (t) on the lifting gear's stick tip, and can be lifted 360° on firm, level supporting surface. Capacities are valid for 750 mm track flat pads. Indicated loads are based on ISO 10567 standard and do not exceed 75 % of tipping or 87 % of hydraulic capacity (indicated via \*). Lifting capacity of the excavator is limited by machine stability, hydraulic capacity and maximum permissible load of the load hook.

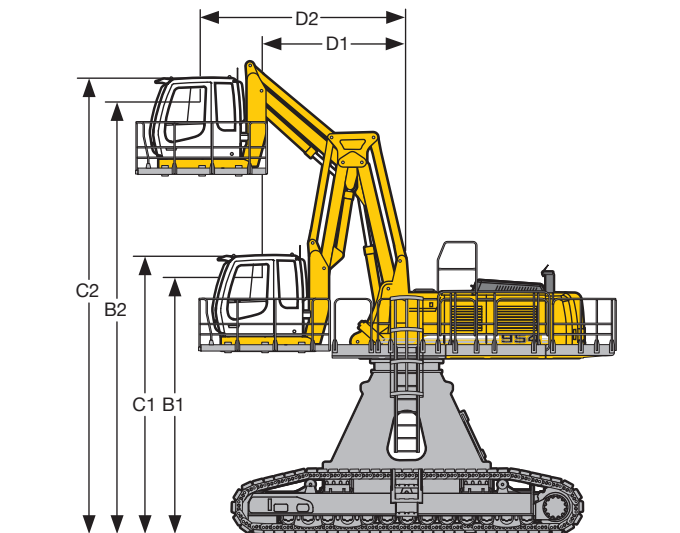
According to European Standard, EN 474-5: In the European Union excavators have to be equipped with an overload warning device, a load diagram and automatic check valves on the hoist cylinders, when they are used for lifting operations which require the use of lifting accessories.

# Choice of Cab Elevation and Cab Protection



## Hydraulic Cab Elevation Parallelogram + Intermediate Piece 0,5 m

B1	5,850 mm
B2	9,420 mm
C1	6,345 mm
C2	9,915 mm
D1	2,850 mm
D2	3,000 mm

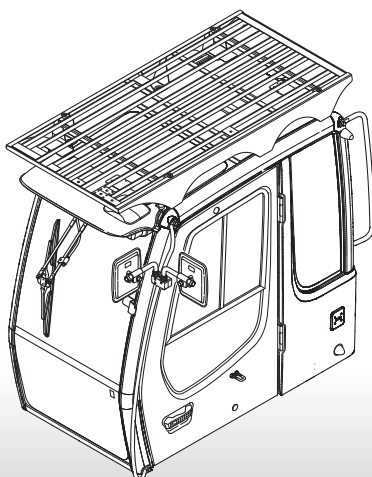


## Hydraulic Cab Elevation with Double Parallelogram

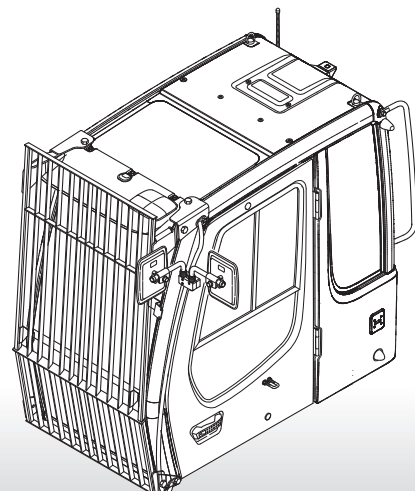
B1	5,495 mm
B2	9,255 mm
C1	5,990 mm
C2	9,755 mm
D1	3,080 mm
D2	4,415 mm

Additional weight in relation to hydraulic cab elevation parallelogram + intermediate piece 0.5 m: 2,500 kg

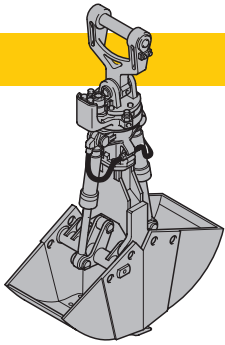
## FOPS Guard



## Front Guard



# Variety of Tools

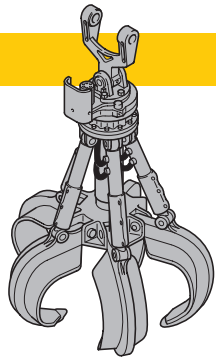


## Shells for Loose Material

### Clamshell Model 22 C

Shells for loose material with cutting edge (without teeth)

Cutting width of shells	mm	1,500	1,500
Capacity	m <sup>3</sup>	1.85	2.20
Total weight	kg	2,500	2,600



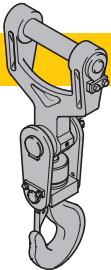
## Multiple Tine Grapples

### open tines

### semi-closed tines

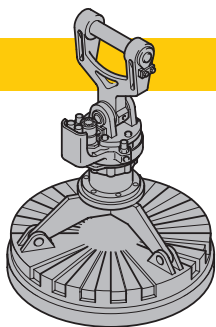
### closed tines

<b>Grapple model 72 C</b> (4 tines)	Capacity	m <sup>3</sup>	1.20	1.40	1.60	1.20	1.40	1.60	1.20	1.40	1.60
	Weight	kg	2,090	2,140	2,160	2,410	2,470	2,510	2,700	2,760	2,810
<b>Grapple model 72 C</b> (5 tines)	Capacity	m <sup>3</sup>	1.20	1.40	1.60	1.20	1.40	1.60	1.20	1.40	1.60
	Weight	kg	2,520	2,570	2,590	2,920	2,990	3,040	3,020	3,100	3,160



## Crane Hook with Suspension

Max. load	t	32
Total weight	kg	180



## Electro Magnets with Suspension

Magnet information on request



# Equipment



## Undercarriage

Three track guide per track	•
Lifetime lubricated track rollers	•
Tracks sealed and greased	•
Idler protection	•
Two-stage travel motors	•



## Uppercarriage

Wide walkways and handrails	•
Maintenance-free swing brake lock	•
Handrails, Non slip surfaces	•
Main switch for electric circuit	•
Engine hood with lift help	•
Pedal controlled positioning swing brake	•
Sound insulation	•
Maintenance-free HD-batteries	•
Lockable tool box	•
Tool kit	•
Electric fuel tank filler pump	+
Customized colors	+



## Hydraulics

Hydraulic tank shut-off valve	•
Pressure compensation	•
Hook up for pressure checks	•
Pressure storage for controlled lowering of attachments with engine turned off	•
Filter with integrated fine filter area (5 µm)	•
Electronic pump regulation	•
Stepless mode system (ECO)	•
Four different power modes adjustable	•
Extra hydr. control for hydr. swivel	+
Hydraulic drive for generator	+
Full flow micro filtration	+
Bio degradable hydraulic oil	+



## Engine

Turbo charger	•
After-cooled	•
Sensor controlled engine idling	•
Air filter with automatic dust ejector	•
Unit pump system	•
Dry-type air cleaner w/pre-cleaner, main and safety element	•
Reversible radiator fan	+



## Operator's Cab

Storage tray	•
Displays for engine operating condition	•
Mechanical hour meters, readable from outside the cab	•
Roof hatch	•
Removable handles for travel pedals	•
6-way adjustable seat	•
Seat and consoles independently adjustable	•
Removable customized foot mat	•
Dome light	•
Cab heater with defroster	•
Cloth hook	•
Air conditioning	•
Rain hood over front window opening	•
All tinted windows	•
Door with sliding window	•
Sun roller blind	•
Wiper/washer	•
Cigarette lighter and ashtray	•
Airpressure operator seat with heating and head-rest	+
Extinguisher	+
Electric cool box	+
Bullet proof window (fixed installation – can not be opened)	+
Stereo radio	+
Preparation for radio installation	+
Beacon	+
Auxiliary heating	+
Electronic drive away lock	+
Additional flood lights	+



## Attachment

Flood lights	•
Hydr. lines for clam operation in stick	•
Sealed pivots	•
Liebherr semi-automatic central lubrication system	•
Safety check valves on hoist cylinder, regenerative	•
Safety check valves on stick cylinder, regenerative	•
Hose quick connection	•
Cylinders with shock absorber	•
Hydraulic or manual quick change tool adapter	+
Industrial-type gooseneck sticks with remote hydraulic pin puller	+
Safety lift hook	+
Liebherr line of clams	+
Liebherr fully-automatic central lubrication system	+
Customized colors	+
Overload warning device	+

• = Standard, + = Option

**Options and/or special attachments, supplied by vendors other than Liebherr, are only to be installed with the knowledge and approval of Liebherr to retain warranty.**



**Liebherr-France SAS**

2 avenue Joseph Rey, B.P. 90287, F-68005 Colmar Cedex

☎ +33 389 21 30 30, Fax +33 389 21 37 93

[www.liebherr.com](http://www.liebherr.com), E-Mail: [info.lfr@liebherr.com](mailto:info.lfr@liebherr.com)